

Thank you for purchasing a Honda Outboard Motor.

This manual covers operation and maintenance of the Honda BF2.3D Outboard Motor.

All information in this publication is based on the latest product information available at the time of approval for printing.

Honda Motor Co., Ltd. reserves the right to make changes at any time without notice and without incurring any obligation.

No part of this publication may be reproduced without written permission.

This manual should be considered a permanent part of the Outboard Motor and should remain with it if it is resold.

Throughout this manual, you will see safety messages preceded by the following words and symbols. Here's what they mean:

▲ DANGER

Indicates serious injury or death WILL result if instructions are not followed.

▲ WARNING

Indicates a strong possibility that serious personal injury or death may result if instructions are not followed.

▲ CAUTION

Indicates a possibility that personal injury or equipment damage could result if instructions are not followed.

NOTICE

Indicates that equipment or property damage could result if instructions are not followed.

NOTE: Gives helpful information.

If a problem should arise, or if you have any questions about the Outboard Motor, consult an authorized Honda Outboard Motor dealer.

▲ WARNING

Honda Outboard Motors are designed to give safe and dependable service if operated according to instructions. Read and understand the Owner's Manual before operating the Outboard Motor. Failure to do so could result in personal injury or equipment damage.

- The illustration may vary according to the type.

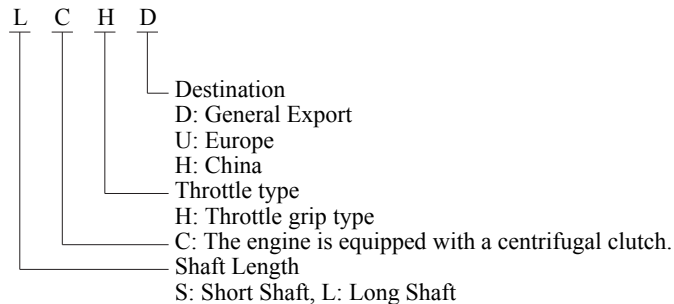
Honda Motor Co., Ltd. 2015, All Rights Reserved

Model		BF2.3D				
Type		SCHU	SCHD	SCHH	LCHU	LCHD
Shaft length	Short	•	•	•		
	Long				•	•
Throttle type	Grip	•	•	•	•	•
Centrifugal clutch		•	•	•	•	•

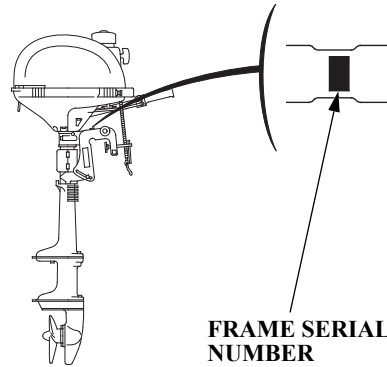
NOTE: Note that the types of the outboard motor differ according to the countries where they are sold.

BF2.3D is provided with the following types according to the shaft length.

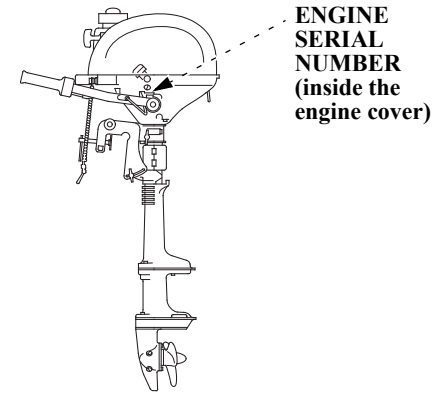
TYPE CODE
Example



Check the type of your outboard motor and read this Owner's Manual thoroughly before operation. Texts with no type indication are the information and/or procedures common to all types.



Record the frame and engine serial numbers for your reference. Refer to the serial numbers when ordering parts, and when making technical or warranty inquiries.



The frame serial number is stamped on a plate attached on the upper part of the swivel case.
The engine serial number is stamped on a plate attached on the clutch housing.

Frame serial number:

Engine serial number:

CONTENTS

1. SAFETY	6	Outboard Motor Angle	20
Safety Information	6	6. PRE-OPERATION CHECKS	22
2. SAFETY LABEL LOCATIONS	8	Removing/Installing Engine Cover	22
CE mark location	9	Engine Oil Level	23
3. COMPONENT IDENTIFICATION	10	Fuel Level	25
4. CONTROLS	11	Gasoline Containing Alcohol	26
Starter Grip	11	Other Checks	27
Choke Knob	11	7. STARTING THE ENGINE	28
Emergency Stop Switch	11	Starting the Engine	28
Throttle Grip	12	Emergency Starting	32
Throttle Grip Friction Knob	13	Troubleshooting Starting Problems	34
Fuel Valve Lever	13	8. OPERATION	35
Oil Level Inspection Window	13	Operation	35
Emergency Stop Switch Lanyard/Clip	14	Tilting the Outboard Motor	38
Tilt Lever	15	Shallow Water Operation	40
Anode Metal	15	High Altitude Operation	40
Engine Cover Retaining Strap	16	9. STOPPING THE ENGINE	41
Steering Friction Bolt	16	10. TRANSPORTING	43
Transom Angle Adjusting Bolt and Wing Nut	16	Transporting	43
Fuel Filler Cap Vent Knob	17	Trailerage	46
Clamp Screws	17	11. CLEANING AND FLUSHING	47
5. INSTALLATION	18		
Transom Height	18		
Location	18		
Installation Height	19		
Outboard Motor Attachment	20		

12. MAINTENANCE	48
Tool Kit and Spare Parts	49
MAINTENANCE SCHEDULE	50
Engine Oil Change	52
Gear Oil Change	53
Starter Rope Check	54
Spark Plug Service	55
Lubrication	57
Shear Pin Change	58
Servicing a Submerged Outboard Motor	59
13. STORAGE	61
Fuel	61
Draining the Gasoline	62
Engine Oil	63
Storage Position of the Outboard Motor	63
14. DISPOSAL	65
15. TROUBLESHOOTING	66
16. SPECIFICATIONS	68
17. MAJOR Honda DISTRIBUTOR ADDRESSES	70
18. “EC DECLARATION OF CONFORMITY” CONTENT OUTLINE	74
19. INDEX	Inside before back cover

1. SAFETY

SAFETY INFORMATION

For your safety and the safety of others, pay special attention to these precautions.

Operator Responsibility



- **Honda outboard motor is designed to give safe and dependable service if operated according to instructions. Read and understand the Owner's Manual before operating the outboard motor. Failure to do so could result in personal injury or equipment damage.**



- **The engine system will be heated during operation and remain hot immediately after stopping the engine.**



Moving parts can injure you. Install the engine cover after emergency starting the engine. Do not operate the outboard motor without the engine cover.

- Know how to stop the engine quickly in case of emergency. Understand the use of all controls.
- Do not exceed the boat manufacturer's power recommendation, and be sure that the outboard motor is properly mounted.
- Never permit anyone to operate the outboard motor without proper instruction.
- Stop the engine immediately if anyone falls overboard.
- Do not run the engine while the boat is near anyone in the water.
- Attach the emergency stop switch lanyard securely to the operator.
- Before operating the outboard motor, familiarize yourself with all laws and regulations relating to boating and the use of outboard motors.

- Do not attempt to modify the outboard motor.
- Always wear a life-jacket when on board.
- Do not operate the outboard motor without the engine cover. Exposed moving parts can cause injury.
- Do not remove any guards, labels, shields, covers or safety devices; they are installed for your safety.

Fire and Burn Hazards

Gasoline is extremely flammable, and gasoline vapor can explode. Use extreme care when handling gasoline. KEEP OUT OF REACH OF CHILDREN.

- Refuel in a well-ventilated area with the engine stopped. Keep flames and sparks away, and do not smoke in the area.

- Refuel carefully to avoid spilling fuel. Avoid overfilling the fuel tank (there should be no fuel in the filler neck). After refueling, tighten the fuel filler cap securely. If any fuel is spilled, make sure the area is dry before starting the engine.

The engine and exhaust system become very hot during operation and remain hot for a while after stopping. Contact with hot engine components can cause burns and may ignite some materials.

- Avoid touching a hot engine or exhaust system.
- Allow the engine to cool before performing maintenance or transporting.

Carbon Monoxide Poisoning Hazard

Exhaust contains poisonous carbon monoxide, a colorless and odorless gas. Breathing exhaust can cause loss of consciousness and may lead to death.

- If you run the engine in an area that is confined, or even partially enclosed, the air can become contaminated with a dangerous amount of exhaust gas. To keep exhaust gas from building up, provide adequate ventilation.

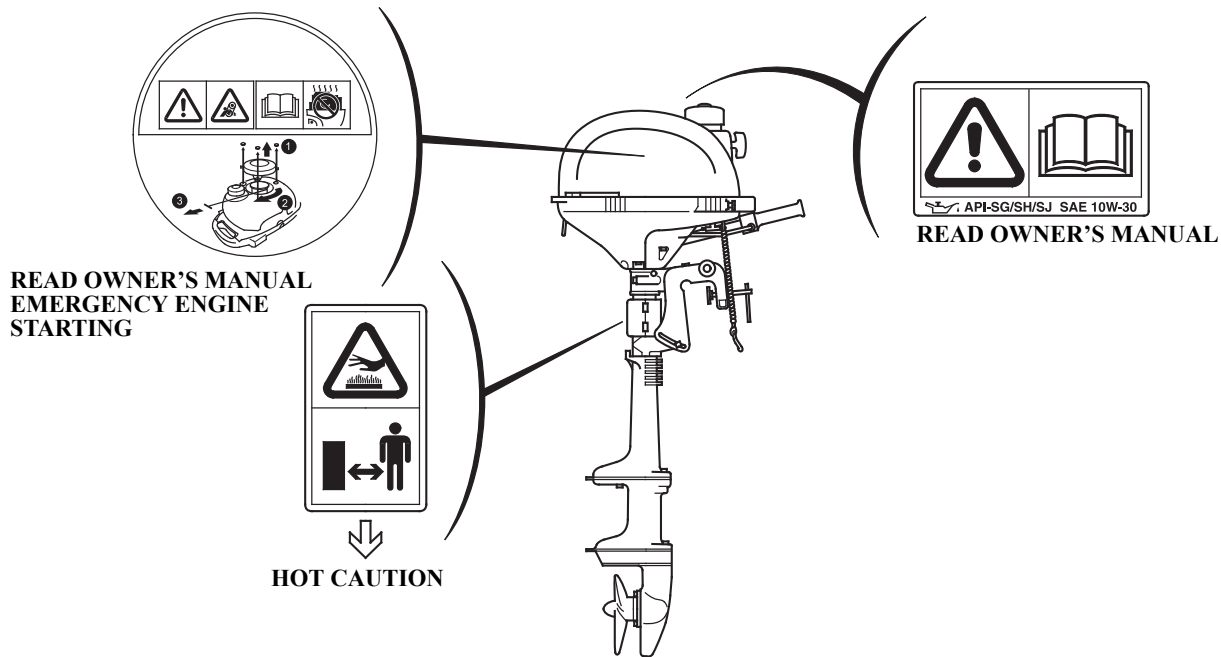
2. SAFETY LABEL LOCATIONS

[Equipped type]

These labels warn you of potential hazards that can cause serious injury.

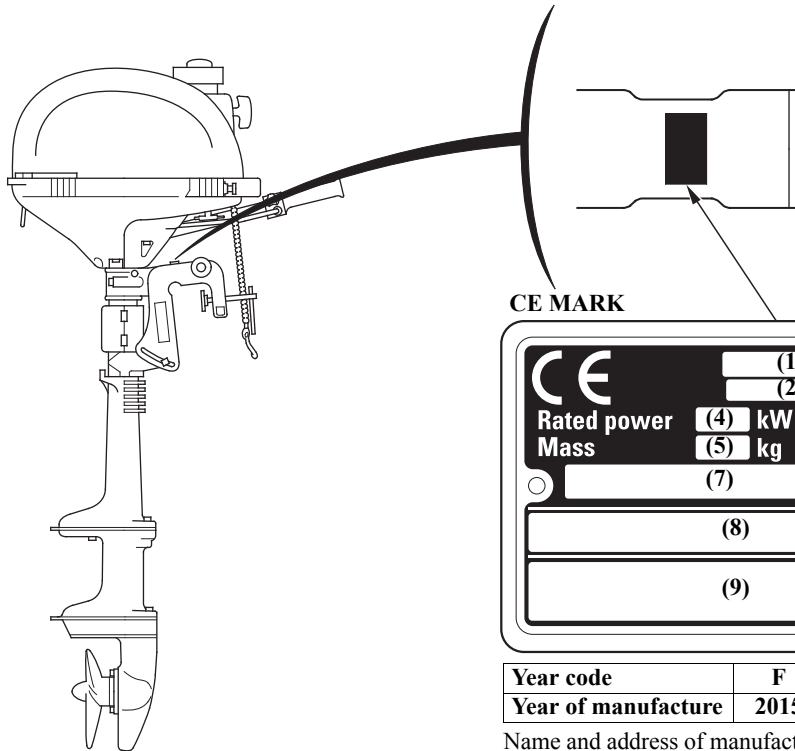
Read the labels and safety notes and precautions described in this manual carefully.

If a label comes off or becomes hard to read, contact your Honda outboard motor dealer for a replacement.



SAFETY LABEL LOCATIONS

CE mark location [SCHU and LCHU types]



CE MARK

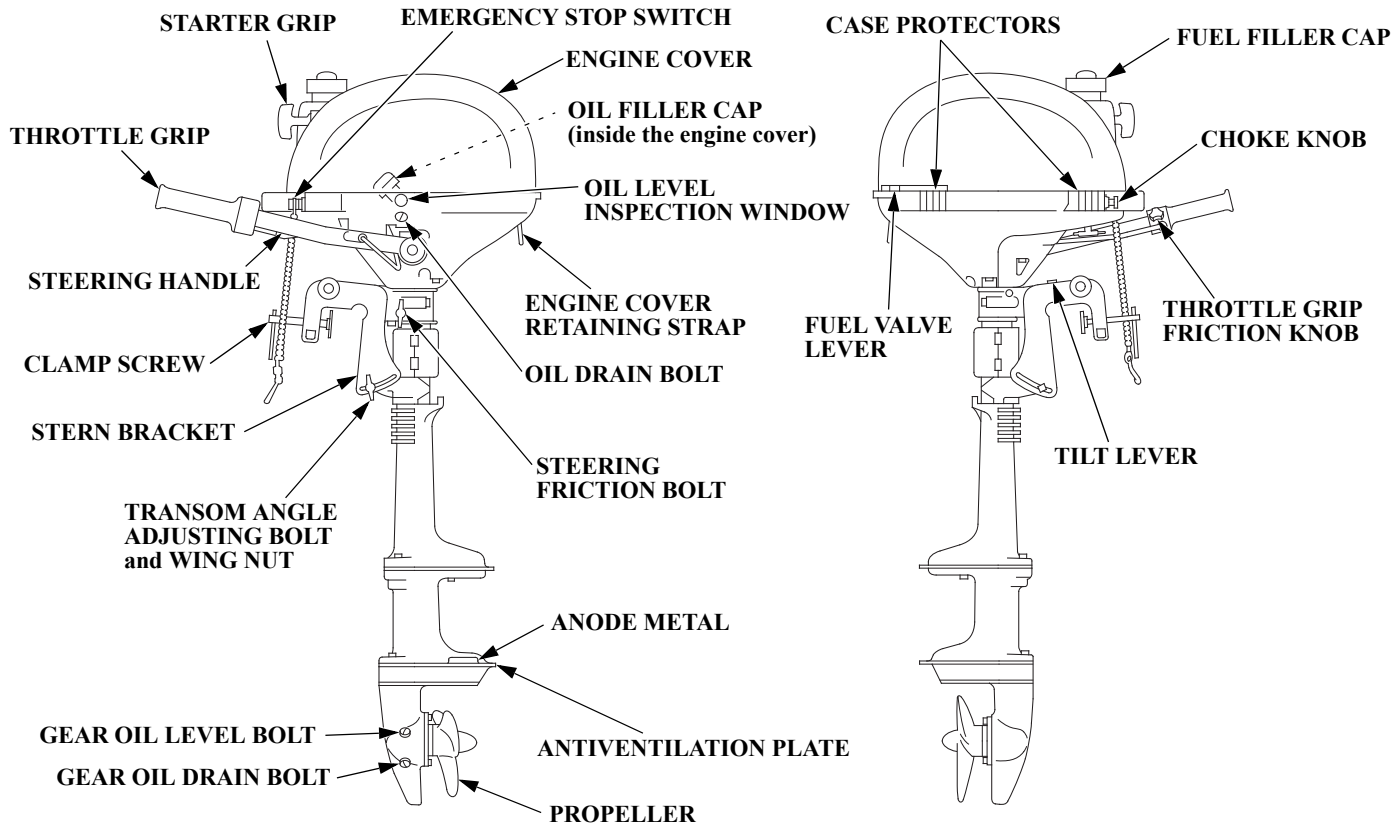
CE	(1)	(3)
	(2)	
Rated power	(4) kW	(6)
Mass	(5) kg	
(7)		
(8)		
(9)		

- (1) Model name
- (2) Engine family name
- (3) Year code
- (4) Rated power
- (5) Dry mass (weight) (with propeller)
- (6) Country of manufacture
- (7) Frame number
- (8) Manufacture and address
- (9) Name and address of authorized representative

Year code	F	G	H	J	K	L
Year of manufacture	2015	2016	2017	2018	2019	2020

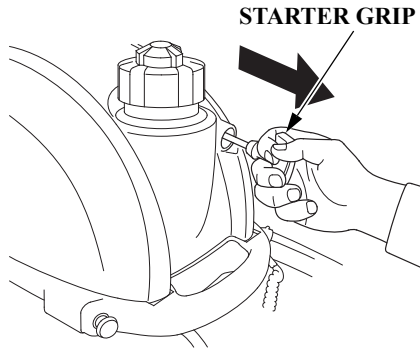
Name and address of manufacturer and authorized representative are written in the “EC Declaration of Conformity” CONTENT OUTLINE in this Owner’s Manual.

3. COMPONENT IDENTIFICATION



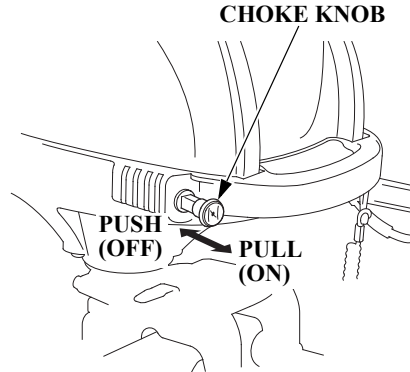
4. CONTROLS

Starter Grip



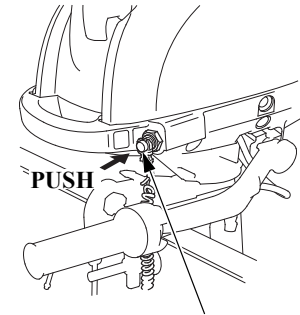
Use the starter grip to start the engine.

Choke Knob



When the engine is cold, pull the choke knob to start easily. Rich fuel mixture is provided to the engine by pulling the choke knob.

Emergency Stop Switch

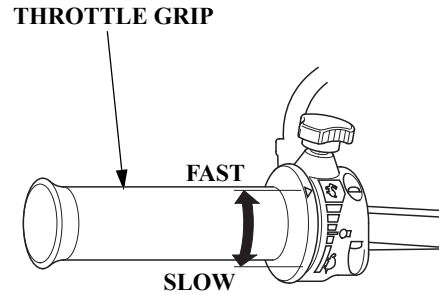


Press the emergency stop switch to stop the engine.

CONTROLS

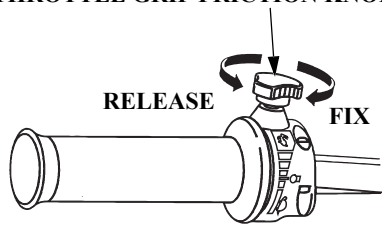
Throttle Grip

Move the throttle grip in the directions shown to make the engine run faster or slower.



Throttle Grip Friction Knob

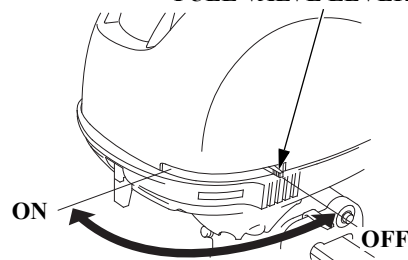
THROTTLE GRIP FRICTION KNOB



Use the throttle grip friction knob to cruise at a certain constant speed. Turning the throttle grip friction knob clockwise fixes the throttle grip in the place, and it is released by turning the throttle grip friction knob counterclockwise.

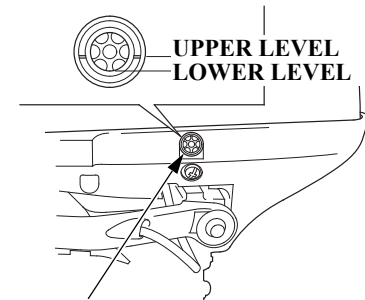
Fuel Valve Lever

FUEL VALVE LEVER



Turn the fuel valve lever to the ON to open the fuel valve for the engine to run.

Oil Level Inspection Window



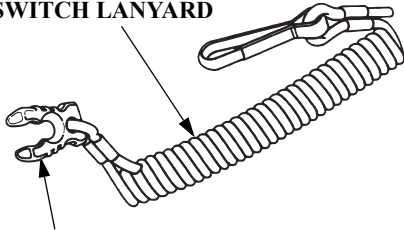
OIL LEVEL INSPECTION WINDOW

Use the oil level inspection window to check the engine oil level with the engine stopped and the outboard motor in the upright position.

CONTROLS

Emergency Stop Switch Lanyard/ Clip

EMERGENCY STOP
SWITCH LANYARD

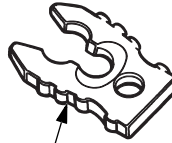


EMERGENCY STOP SWITCH CLIP

The emergency stop switch lanyard is provided to stop the engine immediately when the operator falls overboard or away from the outboard motor.

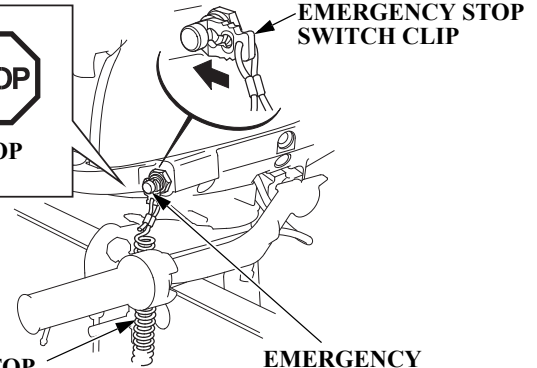
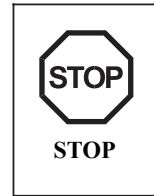
The engine stops when the clip at the end of the emergency stop switch lanyard is pulled out of the emergency stop switch.

When operating the outboard motor, be sure to attach one end of the emergency stop switch lanyard securely to the operator.



SPARE EMERGENCY STOP
SWITCH CLIP

EMERGENCY STOP
SWITCH LANYARD



EMERGENCY
STOP SWITCH

▲WARNING

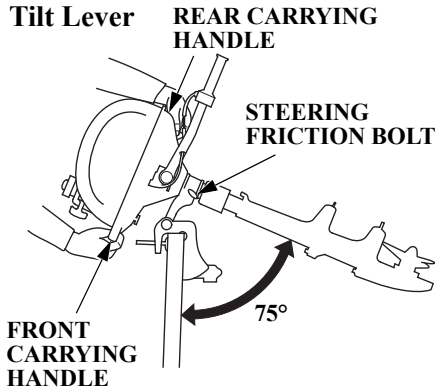
If the emergency stop switch lanyard is not set, the boat might run out of control when the operator, for example, falls overboard and is not able to operate the outboard motor.

For the sake of the operator's and the passengers' safety, be sure to set the emergency stop switch clip located at one end of the emergency stop switch lanyard with the emergency stop switch. Attach the other end of

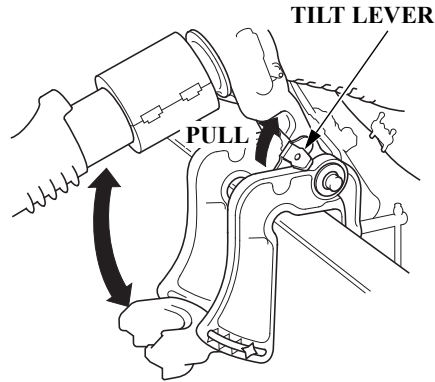
the emergency stop switch lanyard securely to the operator.

NOTE:

The engine does not start unless the emergency stop switch clip is set on the emergency stop switch. A spare emergency stop switch clip is provided in the tool bag.



Use the tilt lever to tilt the outboard motor for shallow water operation, beaching, launching, or mooring. Tilt the outboard motor by holding the carrying handles, as shown. The spring-loaded tilt lever will automatically move into position and hold the outboard motor when it reaches approximately 75°.

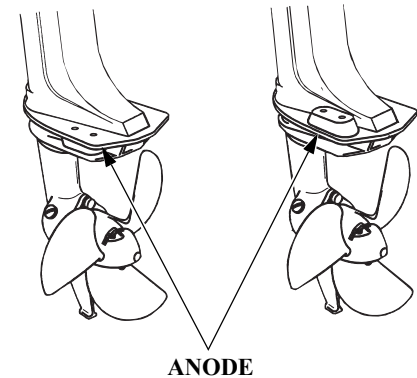


To return the outboard motor to the normal running position, hold the outboard motor and pull the tilt lever, then slowly lower the outboard motor.

Anode Metal

Short shaft type

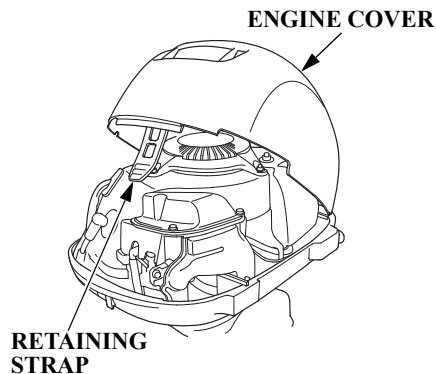
Long shaft type



The anode metal is a sacrificed metal which protects the outboard motor from corrosion.

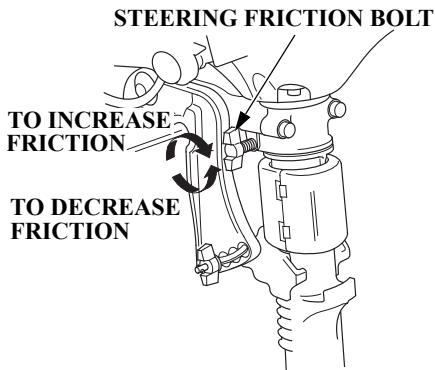
CONTROLS

Engine Cover Retaining Strap



Use the retaining strap to hold the engine cover closed. Do not remove the engine cover while the engine is running.

Steering Friction Bolt

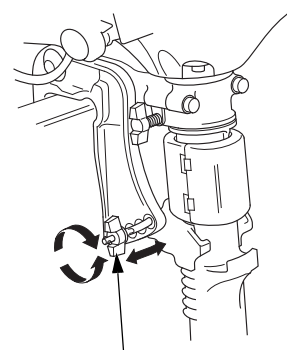


The steering friction bolt adjusts steering resistance.

Turn the bolt clockwise to increase friction for holding a steady course while cruising or to prevent the outboard motor from swinging while trailering the boat.

Turn the bolt counterclockwise to reduce steering friction.

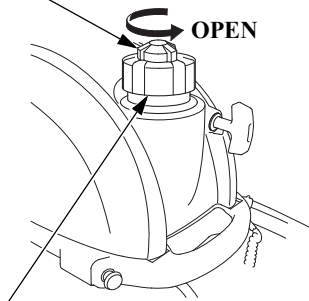
Transom Angle Adjusting Bolt and Wing Nut



Use the adjusting bolt to adjust the outboard motor angle in the normal operating position. The outboard motor angle can be adjusted to the four angles by changing the adjusting bolt position.

Fuel Filler Cap Vent Knob

FUEL FILLER CAP VENT KNOB



FUEL FILLER CAP

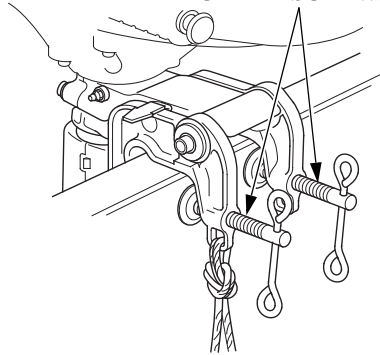
The fuel filler cap vent knob shuts off the fuel tank from the open air. Before operating the outboard motor, turn the fuel filler cap vent knob 2 or 3 turns counterclockwise to open the vent.

When refilling the fuel tank, turn the fuel filler cap vent knob counterclockwise to open and remove the fuel filler cap.

Turn the fuel filler cap vent knob clockwise and close it securely before transporting or storing the outboard motor.

Clamp Screws

CLAMP SCREWS



Use the clamp screws to secure the stern brackets to the transom.

5. INSTALLATION

NOTICE

Improperly installed outboard motor can result in the outboard motor dropped into the water, boat not able to cruise straight ahead, engine speed not increase, and much fuel consumption.

We recommend that the outboard motor be installed by an authorized Honda outboard motor dealer. Consult the authorized Honda dealer in your area for the Y-OP (User Optional Parts)/equipments installation and operation.

Applicable Boat

Select the boat suitable for the engine power:

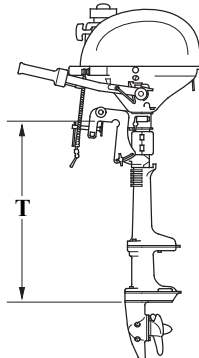
BF2.3D: 1.7 kW (2.3 PS)

Power recommendation is indicated on most of the boats.

WARNING

Do not exceed the boat manufacturer's power recommendation. Damage and injury may result.

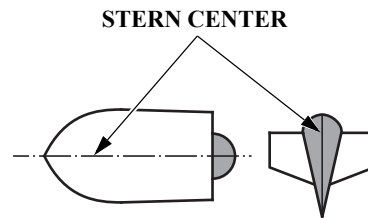
Transom Height



Type:	T (Outboard Motor Transom Height)
S:	418 mm (16.5 in)
L:	571 mm (22.5 in)

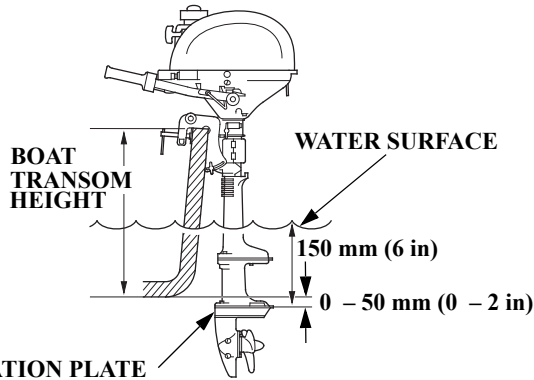
Select the outboard motor which is correct for the boat transom height of your boat.

Location



Install the outboard motor at the stern, at the center line of the boat.

Installation Height



ANTIVENTILATION PLATE

With the boat in the water, properly loaded, and the engine stopped, check the installed depth of the outboard motor by looking at the antiventilation plate.

The antiventilation plate of the outboard motor should be 0 – 50 mm (0 – 2 in) below the bottom of the boat.

The antiventilation plate should be at least 150 mm (6 in) below the surface of the water.

The correct dimensions differ according to the type of the boats and the configuration of the bottom of the boats. Follow the manufacture's recommended installation height.

If the outboard motor is installed too low, the boat will squat and be hard to plane, and the engine will spray water that may enter the boat. It will tend to porpoise, and high-speed stability will be reduced.

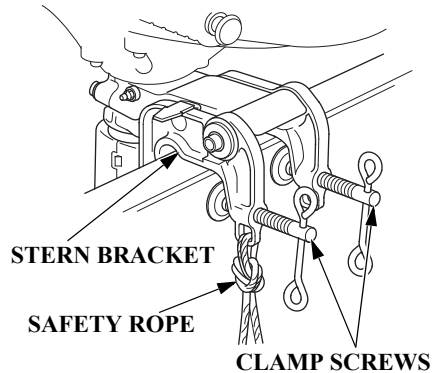
If the outboard motor is installed too high, that will cause propeller ventilation.

NOTICE

When the outboard motor is installed extremely low, water may enter into the engine under case and negatively affect the performance and durability. When installing, check that the outboard motor is high enough from the water level to keep the engine under case from waves, splash, etc. when the engine is stopped with the boat fully loaded.

INSTALLATION

Outboard Motor Attachment



Attach the stern bracket to the transom and tighten the clamp screws.

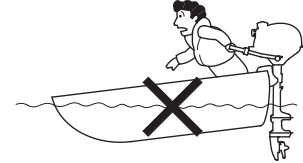
NOTICE

- While operating the boat, check the tightness of the clamp screws occasionally.
- Tie a rope through the hole in the stern bracket and secure the other end of the rope to the boat. This will prevent accidental loss of the outboard motor.

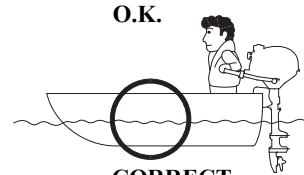
Outboard Motor Angle (Cruising)



INCORRECT
CAUSES BOAT TO “SQUAT”



INCORRECT
CAUSES BOAT TO “PLOW”



O.K.
CORRECT
GIVES MAXIMUM PERFORMANCE

Install the outboard motor at the best trim angle for stable cruising and maximum power.

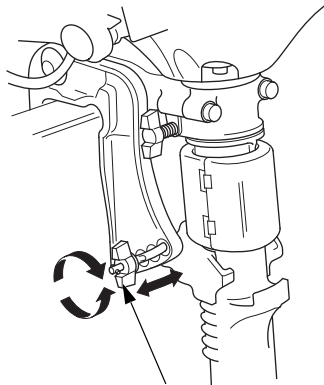
Trim angle too large: Incorrect causes boat to “squat”.

Trim angle too small: Incorrect causes boat to “plow” (Sprayed water may enter the boat).

The trim angle differs according to the combination of the boat, outboard motor, and propeller, and the operating conditions.

<Outboard Motor Angle Adjustment>

Adjust the outboard motor so that it is perpendicular to the water surface (i.e. axis of the propeller is parallel with the water surface).



ADJUSTING BOLT AND WING NUT

1. Loosen the wing nut to free the adjusting bolt.
2. Adjust the angle of the outboard motor, and tighten the wing nut. Be sure that the bolt head and wing nut are seated in one of the four recesses on the adjustment slot.

NOTICE

To prevent damage to the outboard motor or boat, make sure the adjusting bolt is locked.

6. PRE-OPERATION CHECKS

The BF2.3D is the 4-stroke, forced air cooled outboard motor which uses automotive unleaded gasoline with a Research Octane Number of 91 or higher (a Pump Octane Number of 86 or higher) for fuel. It also requires the engine oil.

Check the following before operating the outboard motor.

▲ CAUTION

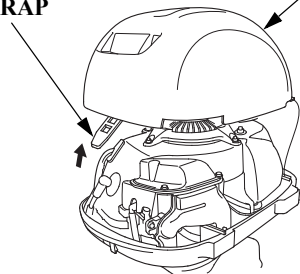
Perform the following pre-operation checks with the engine stopped.

Before each use, look around and underneath the engine for signs of oil or gasoline leaks.

Removing/Installing Engine Cover

RETAINING STRAP

ENGINE COVER



Use the retaining strap to hold the engine cover closed or remove the engine cover.

▲ WARNING

Do not operate the outboard motor without the engine cover. Exposed moving parts can cause injury.

PRE-OPERATION CHECKS

Engine Oil Level

NOTICE

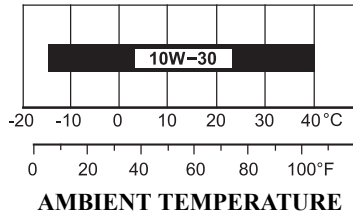
- **Engine oil is a major factor affecting engine performance and service life. Nondetergent and low quality oils are not recommended, because they have inadequate lubricating properties.**
- **Running the engine with insufficient oil can cause serious engine damage.**

NOTE:

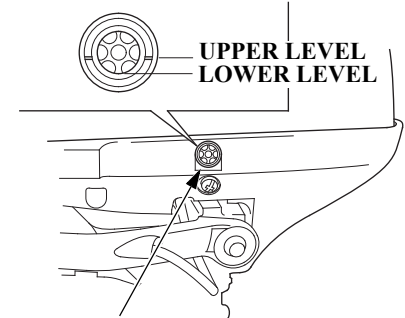
To avoid incorrect gauging of the engine oil level, inspect the oil level when the engine has cooled.

<Recommended oil>

Use Honda 4-stroke oil or an equivalent high detergent, premium quality outboard motor oil certified to meet or exceed U.S. automobile manufacturer's requirements for Service category SG, SH or SJ. Outboard motor oils category SG, SH or SJ will show this designation on the container. SAE 10W-30 is recommended for general, all-temperature use.



<Inspection and Refilling>



OIL LEVEL INSPECTION WINDOW

1. Position the outboard motor vertically and level, and check the oil level in the oil level inspection window.
2. If the oil level is down toward the lower level mark on the window, fill up to the upper level mark (see page 52).

PRE-OPERATION CHECKS

Oil capacity:

0.25 L (0.26 US qt, 0.22 Imp qt)

NOTICE

Do not overfill the engine oil. Check the engine oil after refilling. Excessive engine oil as well as the insufficient oil could cause damage to the engine.

When you check the oil level in the oil level inspection window, you might notice the engine oil appears milky or the oil level has increased. If you notice either condition, change the engine oil. See the following table for an explanation of these conditions.

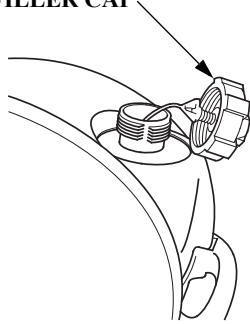
Operating Method	Result	Effect
Running the engine below 3,000 rpm for more than 30% of the time so the engine does not warm up.	<ul style="list-style-type: none">• Water condenses in the engine and mixes with the oil, resulting in a milky appearance.	The engine oil deteriorates, becomes less efficient as a lubricant, and causes an engine malfunction.
Frequent starting and stopping without allowing the engine to warm up.	<ul style="list-style-type: none">• Unburned fuel mixes with the oil, increasing the volume of oil.	

PRE-OPERATION CHECKS

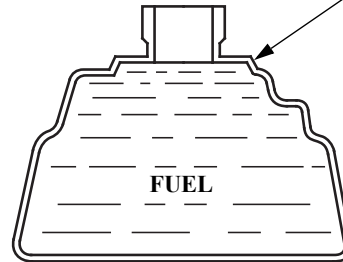
Fuel Level

FUEL FILLER CAP

FUEL FILLER CAP
VENT KNOB



FUEL TANK



Remove the fuel filler cap and check the fuel level. Refill the tank if the fuel level is low.

NOTE:

Open the fuel filler cap vent knob before removing the fuel filler cap. When the fuel filler cap vent knob is firmly closed, the fuel filler cap will be difficult to remove.

After refueling, be sure to tighten the fuel filler cap firmly.

Use unleaded gasoline with a Research Octane Number of 91 or higher (a Pump Octane Number of 86 or higher). Use of leaded gasoline may cause damage to the engine.

Never use an oil/gasoline mixture or dirty gasoline. Avoid getting dirt, dust or water in the fuel tank.

FUEL TANK CAPACITY:

1.1 L (0.29 US gal, 0.24 Imp gal)

▲ WARNING

- Gasoline is extremely flammable and is explosive under certain conditions.
- Refuel in a well-ventilated area with the engine stopped.
- Do not smoke or allow flames or sparks in the area where the engine is refueled or where gasoline is stored.
- Do not overfill the fuel tank (there should be no fuel in the filler neck). After refueling, make sure the fuel filler cap is closed properly and securely.
- Be careful not to spill fuel when refueling. Spilled fuel or fuel vapor may ignite. If any fuel is spilled, make sure the area is dry before starting the engine.
- Avoid repeated or prolonged contact with skin or breathing of vapor.
- **KEEP OUT OF REACH OF CHILDREN.**

PRE-OPERATION CHECKS

GASOLINE CONTAINING ALCOHOL

If you decide to use a gasoline containing alcohol (gasohol), be sure its octane rating is at least as high as that recommended by Honda. There are two types of “gasohol” : one containing ethanol, and the other containing methanol.

Do not use gasohol that contains more than 10% ethanol.

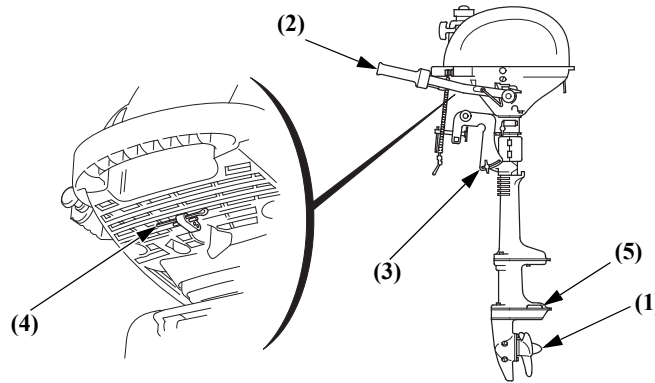
Do not use gasoline containing more than 5% methanol (methyl or wood alcohol) and that does not also contain co-solvents and corrosion inhibitors for methanol.

NOTE:

- Fuel system damage or engine performance problems resulting from the use of gasoline that contains more alcohol than recommended is not covered under the warranty.
- Before buying gasoline from an unfamiliar station, first determine if the gasoline contains alcohol, if it does, find out the type and percentage of alcohol used. If you notice any undesirable operating symptoms while using a particular gasoline. Switch to a gasoline that you know contains less than the recommended amount of alcohol.

PRE-OPERATION CHECKS

Other Checks



Check the following items:

- (1) The propeller and cotter pin for damage or looseness.
- (2) The steering handle for impaired operation.
- (3) The stern bracket for damage and looseness.
- (4) The tool kit for missing spare parts and tools (page 49).
- (5) The anode metal for damage, looseness or excessive corrosion.

The anode metal helps to protect the outboard motor from corrosion damage; it must be exposed directly to the water whenever the outboard motor is in use. Replace the anode when it has been reduced to about two-thirds of the original size, or if it is crumbling.

NOTICE

The possibility of corrosion damage is increased if the anode metal is painted over or allowed to deteriorate.

Parts/materials which should be installed on board:

- Owner's Manual
- Tool kit
- Spare spark plugs, engine oil, propeller and cotter pins.
- Required information regarding boating laws and regulations.

7. STARTING THE ENGINE

Starting the Engine

▲WARNING

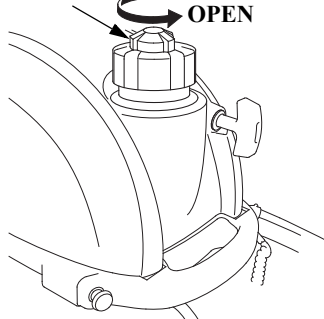
Exhaust contains poisonous carbon monoxide which can cause unconsciousness and may lead to death.

Never run the outboard motor in a closed garage or confined area.

NOTICE

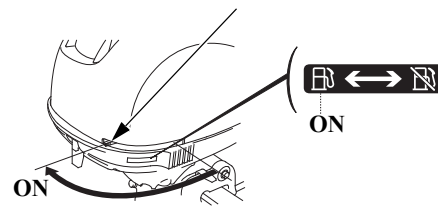
The propeller must be lowered into the water, running the outboard motor out of the water will damage the outboard motor.

FUEL FILLER CAP
VENT KNOB



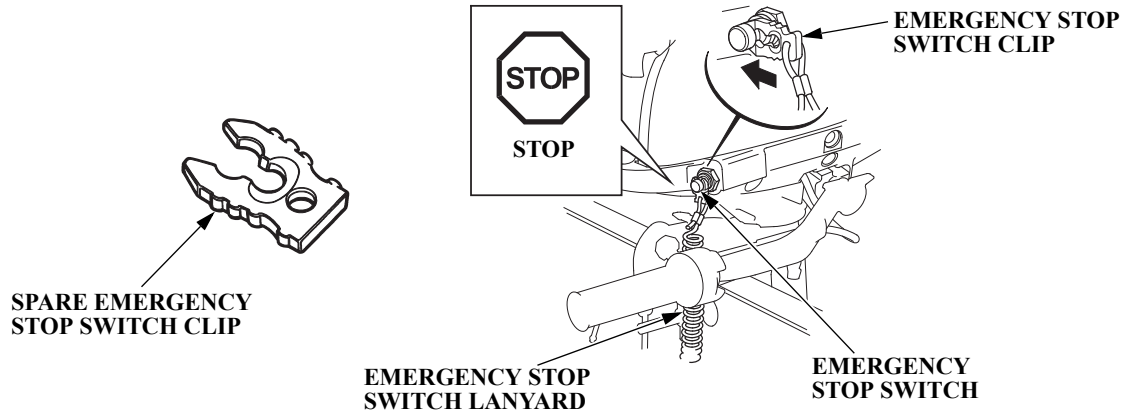
1. Open the fuel filler cap vent knob 2 to 3 turns.

FUEL VALVE LEVER



2. Turn the fuel valve lever to the ON.

STARTING THE ENGINE



- Engage the emergency stop switch clip located at one end of the emergency stop switch lanyard with the emergency stop switch. Attach the other end of the emergency stop switch lanyard securely to the operator.

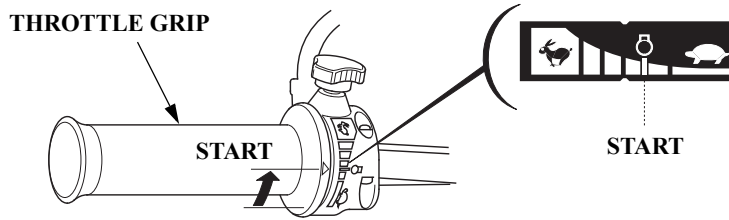
▲WARNING

If the operator does not attach the emergency stop switch lanyard, and is thrown from his seat or out of the boat, the out-of-control boat can seriously injure the operator, passengers, or bystanders. Always properly attach the lanyard before starting the engine.

NOTE:

- The engine will not start unless the emergency stop switch clip is engaged with the emergency stop switch.
- A spare emergency stop switch clip is provided in the tool bag.

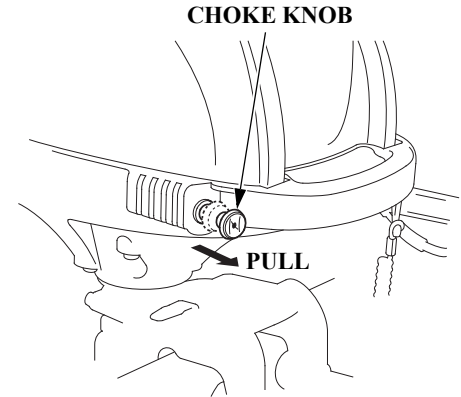
STARTING THE ENGINE



4. Move the throttle grip to the START position.

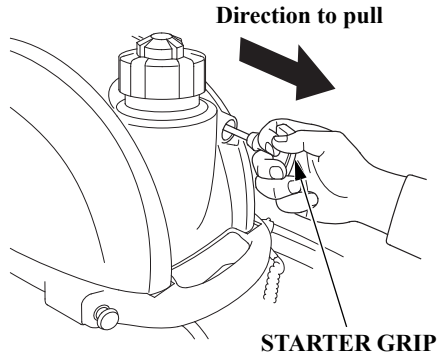
⚠ CAUTION

Do not start the engine with the throttle grip in any position other than the START position, or the boat will move suddenly when the engine starts.



5. When the engine is cold or ambient temperature is low, pull the choke knob to the ON position. (It provides rich fuel mixture to the engine.)

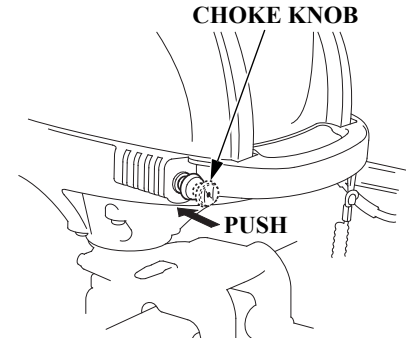
STARTING THE ENGINE



6. Pull the starter grip lightly until you feel resistance, then pull briskly in the direction of the arrow as shown above.

NOTICE

- Do not allow the starter grip to snap back against the engine. Return it gently to prevent damage to the starter.
- Do not pull the starter grip while the engine is running, as that may damage the starter.
- Before pulling the starter grip position the outboard motor straight.



- If the engine fails to start, check the emergency stop switch clip.
7. If the choke was used, push it in gradually as the engine warms up.

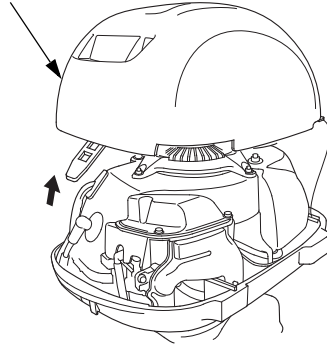
During operation, check to be sure the antiventilation plate remains underwater at all times. Excessive or imbalanced loading will affect the outboard motor's water depth. Loading too far forward will raise the outboard motor out of the water, reducing engine cooling. Loading too much or too far rearward will push the outboard motor deeper, reducing performance.

STARTING THE ENGINE

Emergency Starting

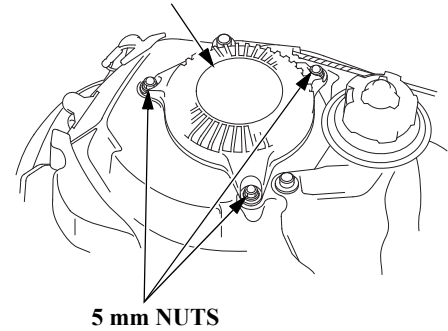
If the recoil starter does not operate properly for some reasons, the engine can be started using the emergency starter rope that came with your outboard motor.

ENGINE COVER



1. Remove the engine cover.

RECOIL STARTER

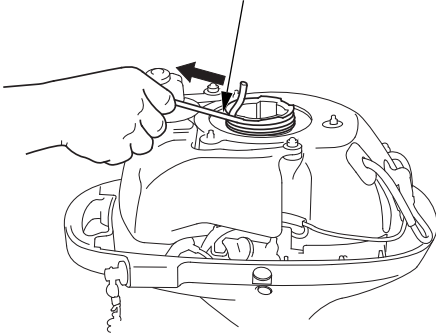


2. Remove the recoil starter by removing the three 5 mm nuts.

NOTE:

Take care not to lose the nuts.

EMERGENCY STARTER ROPE



3. Wind the emergency starter rope clockwise around the pulley, and then pull it straight out to start the engine.

▲WARNING

Keep clear of moving parts.

4. Leave the recoil starter off and reinstall the engine cover.

▲WARNING

Exposed moving parts can cause injury. Use extreme care when installing the engine cover. Do not operate the outboard motor without the engine cover.

5. Attach the emergency stop switch lanyard securely to the operator and return to the closest boat landing.
6. After returning to the closest boat landing, contact your closest authorized Honda outboard motor dealer and perform the following.
 - Have the starting system and electrical system checked.
 - Have your dealer reassemble the parts removed in the emergency starting procedure.

STARTING THE ENGINE

Troubleshooting Starting Problems

SYMPTOM	POSSIBLE CAUSE	REMEDY
The engine does not start.	Emergency stop switch clip is not engaged.	Engage the emergency stop switch clip. (page 29)
	Throttle grip is not in the START position.	Move the throttle grip to the START position. (page 30)
	Out of fuel.	Supply fuel. (page 24)
	Fuel valve is not opened.	Move the fuel valve lever to the ON position. (page 28)
	Fuel filler cap vent knob not open.	Open fuel filler cap vent knob. (page 28)
	Fuel is not reaching the carburetor.	Loosen the carburetor drain screw to see if there is fuel in the carburetor float bowl. (page 62)
	Engine flooded.	Clean and dry spark plug. (page 55)
	Plug cap is not installed properly.	Install plug cap securely. (page 56)

8. OPERATION

Operation

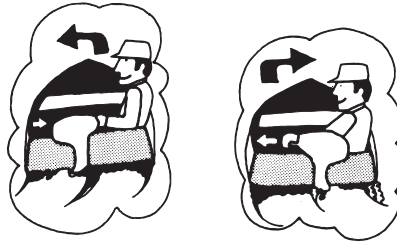
Break-in Procedure

Break-in operation allows the mating surfaces of the moving parts to wear evenly and thus ensures proper performance and longer outboard motor life.

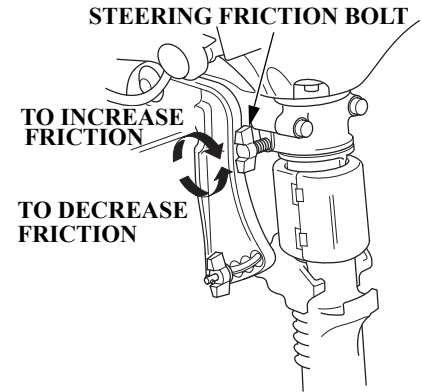
Break-in your new outboard motor as follows.

For the first 10 hours of operation, run the outboard motor at low speed, avoid prolonged full-throttle speed, and avoid abrupt operation of the throttle.

1. Steering



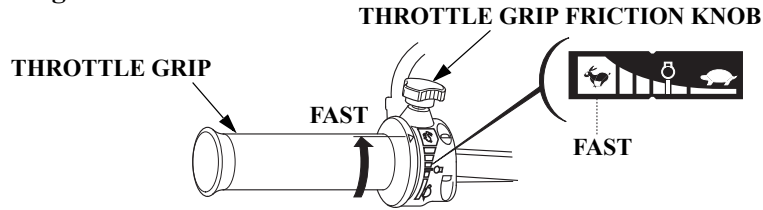
To change the direction of the boat to the right, swing the steering handle to the left. To turn to the left, swing the steering handle to the right.



For smooth steering, adjust the steering friction bolt so that a slight drag is felt when turning.

OPERATION

2. Cruising



Move the throttle grip toward FAST to increase speed.
For normal cruising, open the throttle about 1/2.
To hold the throttle grip at a steady setting, turn the throttle grip friction knob clockwise. To free the throttle grip for manual speed control, turn the throttle grip friction knob counterclockwise.

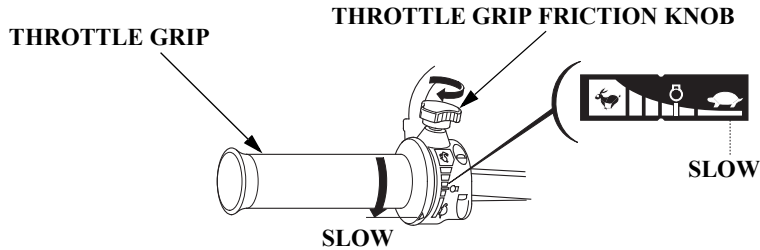
⚠ CAUTION

Do not operate without the engine cover. Exposed moving parts could cause injury; water may damage the engine.

NOTE:

For best performance, passengers and equipment should be distributed evenly to balance the boat.

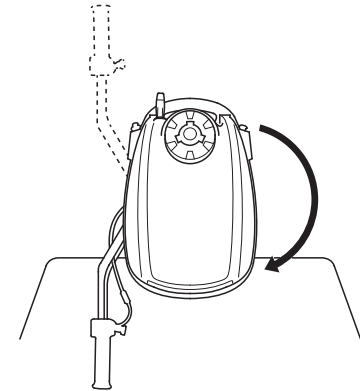
3. Reversing the Outboard Motor



1. Move the throttle grip to the SLOW position and hold it there by turning the throttle grip friction knob clockwise.

NOTICE

Before rotating the outboard motor (from either forward to reverse or from reverse to forward) reduce the engine speed to SLOW, or the boat could capsize.



2. To reverse direction, turn the outboard motor 180° and then pivot the tiller handle as shown. Be careful not to hold and move the throttle grip when pivoting the tiller handle.

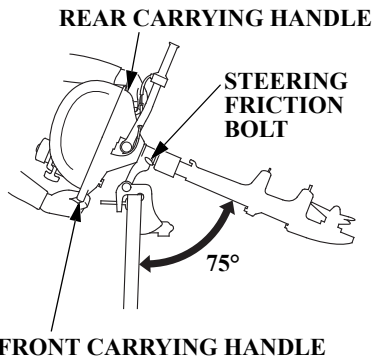
NOTICE

When operating in reverse, proceed with caution to avoid hitting any underwater obstructions with the propeller.

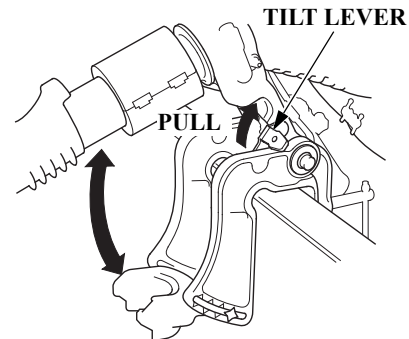
OPERATION

Tilting the Outboard Motor

Tilt the outboard motor to prevent the propeller and gear case from hitting the bottom when the boat is beached or stopped in shallow water.



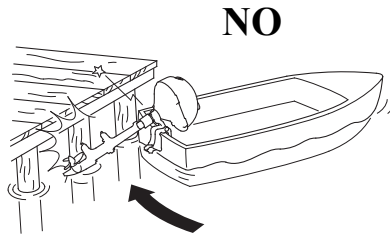
1. Stop the engine (page 41) and turn the fuel valve lever off (page 42).
2. Close the fuel tank vent by turning the vent knob clockwise (page 42).
3. With the outboard motor in the forward position, tilt the outboard motor using the front and rear carrying handles on the engine cover. The spring-loaded tilt lever will automatically move into position and hold the outboard motor when it reaches approximately 75°.
4. Adjust the steering friction bolt to keep the outboard motor from moving.



NOTICE

- If the outboard motor is tilted in the reverse position, crankcase oil will enter the cylinder and may cause difficult starting or may prevent the engine from being cranked.
 - Do not use the tiller handle to tilt the outboard motor.
5. To return the outboard motor to the normal running position, hold the outboard motor by the front carrying handle on the engine crankcase and pull the tilt lever toward you, then lower the outboard motor slowly.

<Mooring>



NOTICE

To avoid damaging the outboard motor, use the utmost care when mooring a boat, especially when its outboard motor is tilted up. Don't allow the outboard motor to strike against the pier or other boats.

OPERATION

Shallow Water Operation

NOTICE

Excessive trim/tilt angle during operation can cause the propeller to raise out of the water and cause propeller ventilation and engine over-revving.

When operating in shallow water, tilt the outboard motor up to prevent the propeller and gear case from hitting the bottom (see page 38). With the outboard motor tilted up, operate the outboard motor at low speed.

High Altitude Operation

At high altitude, the standard carburetor air-fuel mixture will be too rich. Performance will decrease, and fuel consumption will increase. A very rich mixture will also foul the spark plug and cause hard starting.

High altitude performance can be improved by specific modifications to the carburetor. If you always operate the outboard motor at altitudes higher than 1,500 m (5,000 feet) above sea level, have your authorized Honda dealer perform these carburetor modifications.

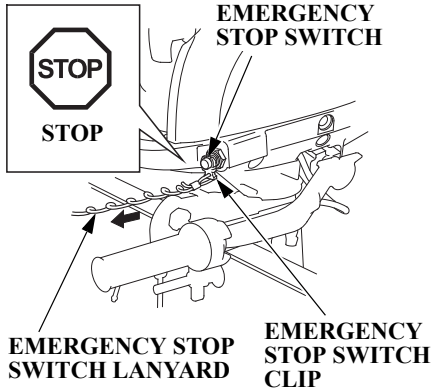
Even with suitable carburetor jetting, engine horsepower will decrease approximately 3.5% for each 300-m (1,000-feet) increase in altitude. The effect of altitude on horsepower will be greater than this if no carburetor modification is made.

NOTICE

When the carburetor have been modified for high altitude operation, the air-fuel mixture will be too lean for low altitude use. Operation at altitudes below 1,500 m (5,000 feet) with modified carburetor may cause the engine to overheat and result in serious engine damage. For use at low altitudes, have an authorized Honda outboard motor dealer return the carburetor to original factory specifications.

9. STOPPING THE ENGINE

Stopping the Engine

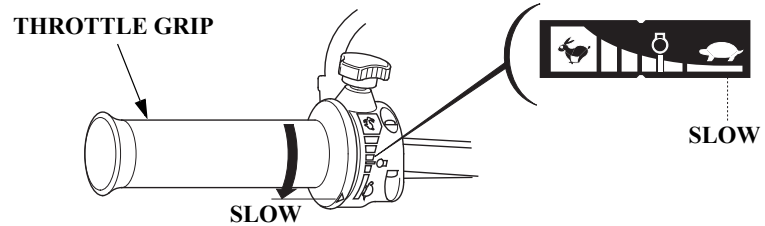


- **In an emergency;**

Disengage the emergency stop switch clip from the emergency stop switch by pulling the emergency stop switch lanyard.

NOTE:

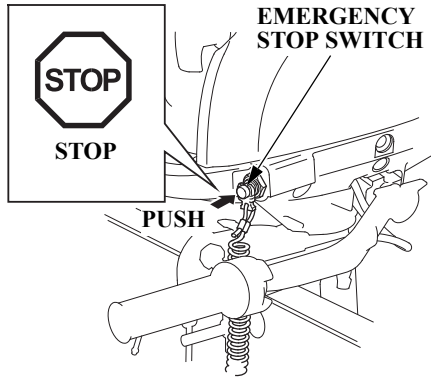
It is a good idea to stop the engine with the emergency stop switch lanyard from time to time to be sure that the emergency stop switch is operating properly.



- **In normal use;**

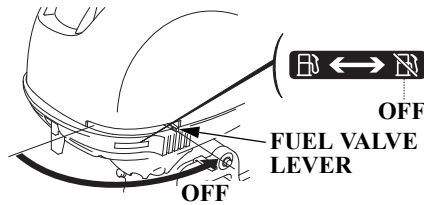
1. Move the throttle grip to the SLOW position.

STOPPING THE ENGINE



2. Push the emergency stop switch until the engine stops.

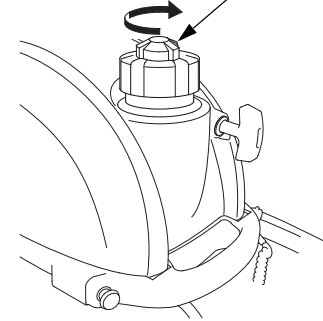
In the event that the engine does not stop when you push the emergency stop switch, pull the emergency stop switch lanyard. If the engine continues to run, move the fuel valve lever to the OFF position and pull the choke knob to stop the engine.



- NOTE:**
After cruising, cool down the engine by idling for a few minutes before stopping the engine.

3. Turn the fuel valve lever to the OFF.

FUEL FILLER CAP VENT KNOB



4. Close the fuel filler cap vent knob.
5. Remove the emergency stop switch lanyard and store it.

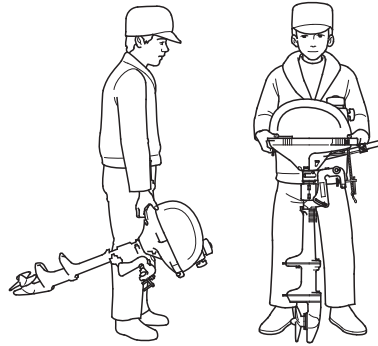
10. TRANSPORTING

Turn the fuel filler cap vent knob clockwise and close it securely before transporting the outboard motor.

▲WARNING

- **Be careful not to spill fuel. Spilled fuel or fuel vapor may ignite. If any fuel is spilled, make sure the area is dry before storing or transporting the outboard motor.**
- **Do not smoke or allow flames or sparks where fuel is drained or stored.**

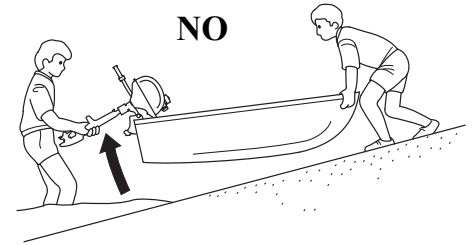
Transporting



To carry, hold the outboard motor by the carrying handle, or hold by the carrying handle and the lug beneath the engine cover retaining strap as shown here. Do not carry by the engine cover.

▲CAUTION

Do not carry the outboard motor by the engine cover. The outboard motor can drop, resulting in an accidental injury and damage.



INCORRECT

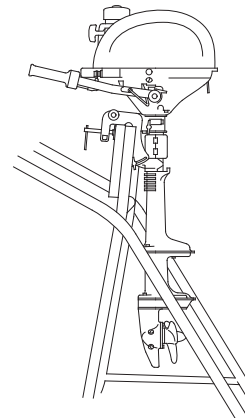
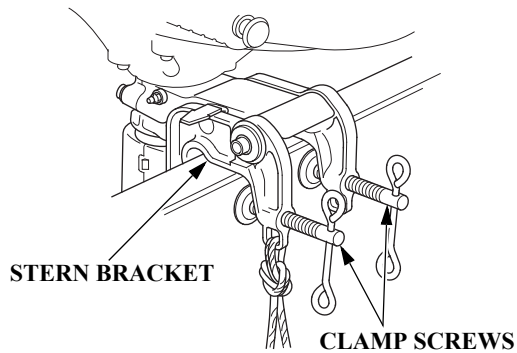
NOTICE

To avoid damaging the outboard motor, never use it as a handle for lifting or moving the boat.

TRANSPORTING

Transport the outboard motor either vertically or horizontally as shown here when removed from the boat.

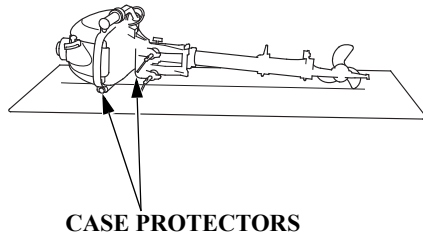
Vertical transport



1. Attach the stern brackets to a motor stand and tighten the clamp screws to install the outboard motor securely.

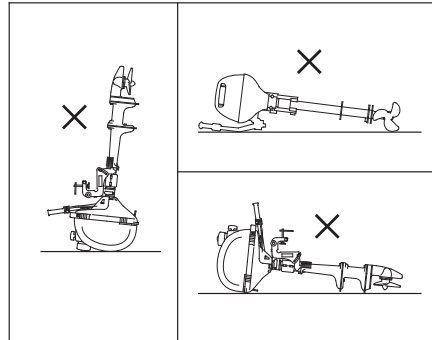
2. Transport the outboard motor as shown above.

Horizontal transport



Rest the outboard motor on the case protectors with the tiller handle folded.

INCORRECT



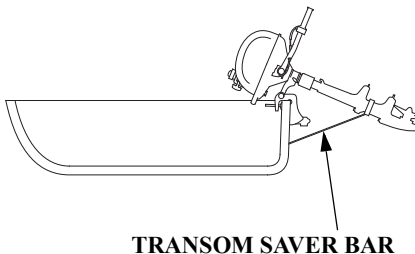
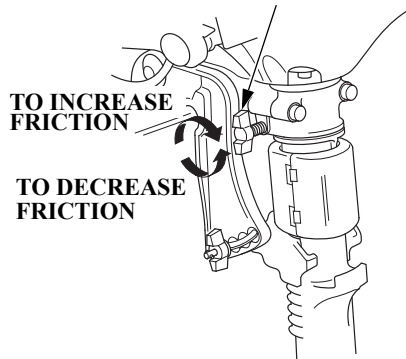
NOTICE

- Any other transport or storage position may cause damage or oil leakage.
- If the outboard motor is tilted in the reverse position, crankcase oil will enter the cylinder and may cause difficult starting or may prevent the engine from being cranked.

TRANSPORTING

Trailer

STEERING FRICTION BOLT



When trailering or transporting the boat with the outboard motor attached, it is recommended that the outboard motor remain in normal running position with the steering friction bolt tightened securely.

NOTICE

Do not trailer or transport the boat with the outboard motor in the tilted position. The boat or outboard motor could be severely damaged if the outboard motor drops.

The outboard motor should be trailered in the normal running position. If there is insufficient road clearance in this position, then trailer the outboard motor in the tilted position using an outboard motor support device such as a transom saver bar, or remove the outboard motor from the boat.

11. CLEANING AND FLUSHING

After each use in salt water or dirty water, thoroughly clean and flush the outboard motor with fresh water.

▲WARNING

Be sure the outboard motor is securely mounted.

12. MAINTENANCE

Periodic maintenance and adjustment are important to keep the outboard motor in the best operating condition. Service and inspect according to the MAINTENANCE SCHEDULE.

▲WARNING

Shut off the engine before performing any maintenance. If the engine must be run, make sure the area is well ventilated. Never run the engine in an enclosed or confined area. Exhaust contains poisonous carbon monoxide gas; exposure can cause loss of consciousness and may lead to death.

Be sure to reinstall the engine cover, if it was removed, before starting the engine. Hold the engine cover closed by using the engine cover retaining strap.

NOTICE

Use only Honda Genuine parts or their equivalents for maintenance or repair. The use of replacement parts which are not of equivalent quality may damage the outboard motor.

Tool Kit and Spare Parts

The following tools and spare parts are supplied with the outboard motor for maintenance, adjustment, and emergency repairs.

Tool Kit



**8 × 10 mm
WRENCH**



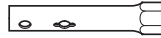
**FLAT/PHILLIPS
SCREWDRIVER**



**EMERGENCY STOP
SWITCH CLIP**



TOOL BAG



**SPARK PLUG
WRENCH**

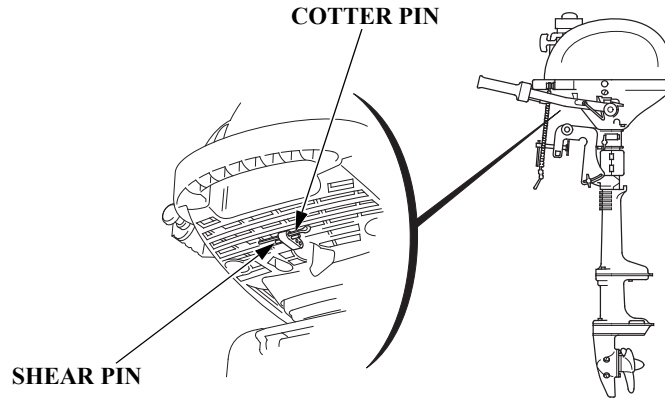


PLIERS



**EMERGENCY
STARTER ROPE**

Spare Parts



MAINTENANCE

MAINTENANCE SCHEDULE

REGULAR SERVICE PERIOD (3) Perform at every indicated month or operating hour interval, whichever comes first.		Each use	First month or 10 hrs.	Every 6 months or 50 hrs.	Every year or 150 hrs.	Refer to page
ITEM						
Engine oil	Check level	o				23
	Change		o	o		52
Gear case oil	Change		o	o		53
Starter rope	Check			o		54
Carburetor linkage	Check-adjust		o (2)	o (2)		–
Valve clearance	Check-adjust				o (2)	–
Spark plug	Check-adjust/Replace			o		55
Propeller and Cotter pin	Check	o				27
Anode	Check	o				27
Idling speed	Check-adjust		o (2)	o (2)		–
Clutch shoes and drum	Check				o (2)	–

NOTE:

- (2) These items should be serviced by an authorized Honda Marine dealer, unless you have the proper tools and are mechanically proficient. Refer to the Honda Shop Manual for service procedures.
- (3) For professional commercial use, log hours of operation to determine proper maintenance intervals.

MAINTENANCE

REGULAR SERVICE PERIOD (3) Perform at every indicated month or operating hour interval, whichever comes first.	Each use	First month or 10 hrs.	Every 6 months or 50 hrs.	Every year or 150 hrs.	Refer to page
ITEM					
Swivel case lining and bush	Replace	Every 3 years (2)			–
Water seal	Replace	Every 3 years (2)			–
Fuel line	Check	o (4)			–
	Replace	Every 2 years (If necessary) (2) (5)			–
Bolts and nuts	Check-tightness		o (2)	o (2)	–
Lubrication	Grease		o (1)	o (1)	57
Fuel tank and tank filter	Clean		o (2)		–
Crankcase breather tube	Check			o (2)	–
Emergency stop switch	Check	o			41

NOTE:

- (1) Lubricate more frequently when used in salt water.
- (2) These items should be serviced by an authorized Honda Marine dealer, unless you have the proper tools and are mechanically proficient. Refer to the Honda Shop Manual for service procedures.
- (3) For professional commercial use, log hours of operation to determine proper maintenance intervals.
- (4) Check the fuel line for leaks, cracks, or damage. If it is leaking, cracked, or damaged, take it to your servicing dealer for replacement before using your outboard.
- (5) Check the fuel line for leaks, cracks, or damage. Replace the fuel line if there are signs of leaks, cracks, or damage.

MAINTENANCE

Engine Oil Change

Insufficient or contaminated engine oil adversely affects the service life of the sliding and moving parts.

Wash your hands with soap and water after handling used oil.

Oil change interval:

10 hours after the date of purchase or first month for initial replacement, then every 50 hours or 6 months.

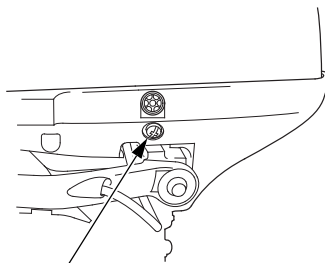
Oil capacity:

0.25 L (0.26 US qt, 0.22 Imp qt)

Recommended Oil:

SAE 10W-30 engine oil or equivalent, API Service category SG, SH or SJ.

<Engine Oil Change>



OIL DRAIN BOLT

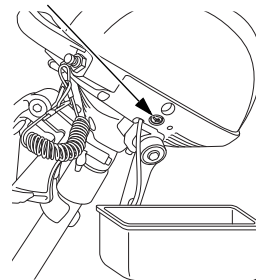
Drain the oil while the engine is still warm to assure rapid and complete draining.

1. Turn the fuel valve lever to the OFF, and close the fuel filler cap vent knob.
2. Remove the outboard from the boat.
3. Loosen the oil drain bolt, and turn the outboard motor on its steering handle side.

NOTE:

If you remove the oil drain bolt before turning the outboard motor on its steering handle side, oil may spill over the outboard motor.

OIL DRAIN BOLT



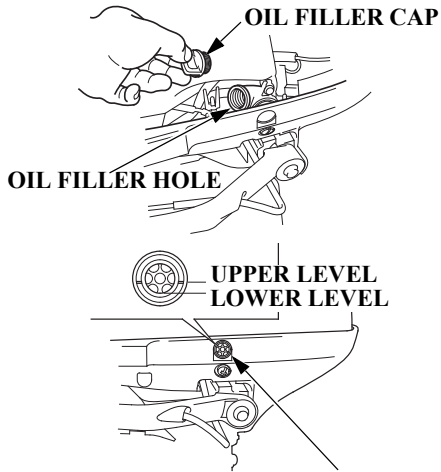
4. Remove the oil drain bolt and O-ring to drain the oil.

NOTE:

Please dispose of used outboard motor oil in a manner that is compatible with the environment. We suggest you take it in a sealed container to your local service station for reclamation. Do not throw it in the trash or pour it on the ground.

5. Install the oil drain bolt and a new O-ring.
6. Stand the engine in upright position and tighten the oil drain bolt securely.

OIL DRAIN BOLT TORQUE:
6.5 N·m (0.66 kgf·m , 4.8 lbf·ft)



OIL LEVEL INSPECTION WINDOW

7. Remove the engine cover.
8. Remove the oil filler cap and fill the crankcase with the recommended oil (see page 23) up to the upper level mark in the oil level inspection window.
9. Recheck the oil level after shaking the outboard motor several times.
10. Reinstall the oil filler cap securely.
11. Reinstall the engine cover.
12. Reinstall the outboard on the boat.

Gear Oil Change

Oil change interval:

10 hours or 1 month after initial use for initial change, then every 6 months or 50 hours.

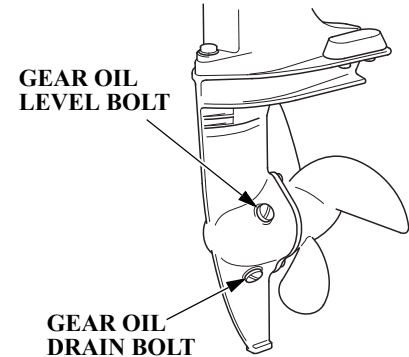
Oil capacity:

0.05 L (0.05 US qt, 0.04 Imp qt)

Recommended Oil:

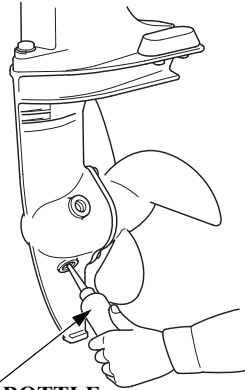
SAE #90 Hypoid gear oil or equivalent, API Service Classification (GL-4)

Change the gear oil with the engine stopped and the outboard motor in the vertical position.



1. Place a suitable container below the oil drain hole to catch the used oil, then remove the oil level bolt, oil drain bolt and washers.

MAINTENANCE



GEAR OIL BOTTLE

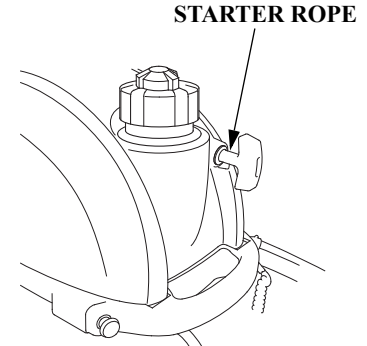
2. Allow the used oil to drain completely, then install an oil pump adapter in the oil drain hole. If water or contaminated (milky-colored) oil flows out the drain hole when the bolt is removed, have the outboard motor checked by authorized Honda Marine dealer.
3. Add oil through the oil drain hole until it flows out the oil level hole, then install the oil level bolt, oil drain bolt and new washers.

OIL LEVEL BOLT TORQUE:
3.5 N·m (0.36 kgf·m , 2.6 lbf·ft)

Avoid losing more than 30 cm³ (1 US oz, 1,1 Imp oz) while reinstalling the drain bolt.

OIL DRAIN BOLT TORQUE:
3.5 N·m (0.36 kgf·m , 2.6 lbf·ft)

Starter Rope Check



Check the starter rope every 6 months or after every 50 hours of outboard motor operation.
Replace the rope if it is frayed.

Spark Plug Service

To ensure proper engine operation, the spark plug must be properly gapped and free of deposits.

▲ CAUTION

The spark plug becomes very hot during operation and will remain hot to awhile after stopping the engine.

Check-Adjust interval:

Every 50 hours or 6 months.

Replacement interval:

Every 50 hours or 6 months.

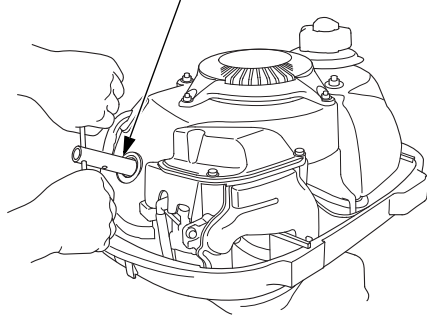
Recommended spark plug:

LR4C-E (NGK)

NOTICE

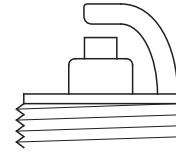
Use only the recommended spark plug or equivalent. Spark plug which have an improper heat range may cause engine damage.

SPARK PLUG WRENCH

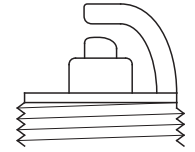


1. Remove the engine cover.
2. Remove the spark plug cap.
3. Make sure the engine is cool.
Remove the spark plug with the spark plug wrench and screwdriver provided in the tool.

New plug

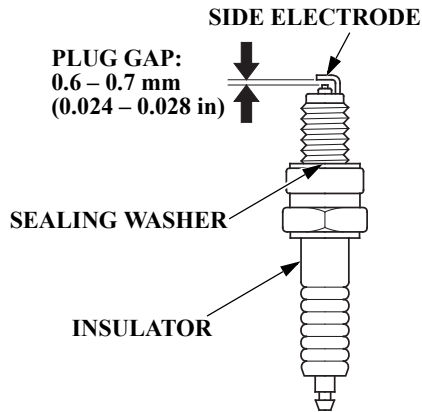


Plug needing replacement



4. Inspect the spark plug.
 - (1) If the electrode is heavily corroded or carbon-soiled, clean with a wire brush.
 - (2) Replace a spark plug if the central electrode is worn. The spark plug can wear out in different ways.
If the sealing washer shows signs of wear, or if the insulator is cracked or chipped, replace the spark plug.

MAINTENANCE



5. Measure the plug gap with a feeler gauge.
The gap should be 0.6 – 0.7 mm (0.024 – 0.028 in). Correct as necessary by carefully bending the side electrode.

6. Check the sealing washer is in good condition, and thread the plug in by hand to prevent cross threading.
7. After the spark plug is seated, tighten with a spark plug wrench to compress the washer.

NOTE:

If installing new spark plug, tighten 1/2 turn after the spark plug seats to compress the washer. If reinstalling a used spark plug, tighten 1/8 – 1/4 turn after the spark plug seats to compress the washer.

8. Attach the spark plug cap.

NOTICE

The spark plug must be securely tightened. An improperly tightened plug can become very hot and may cause engine damage.

9. Reinstall the engine cover.

Lubrication

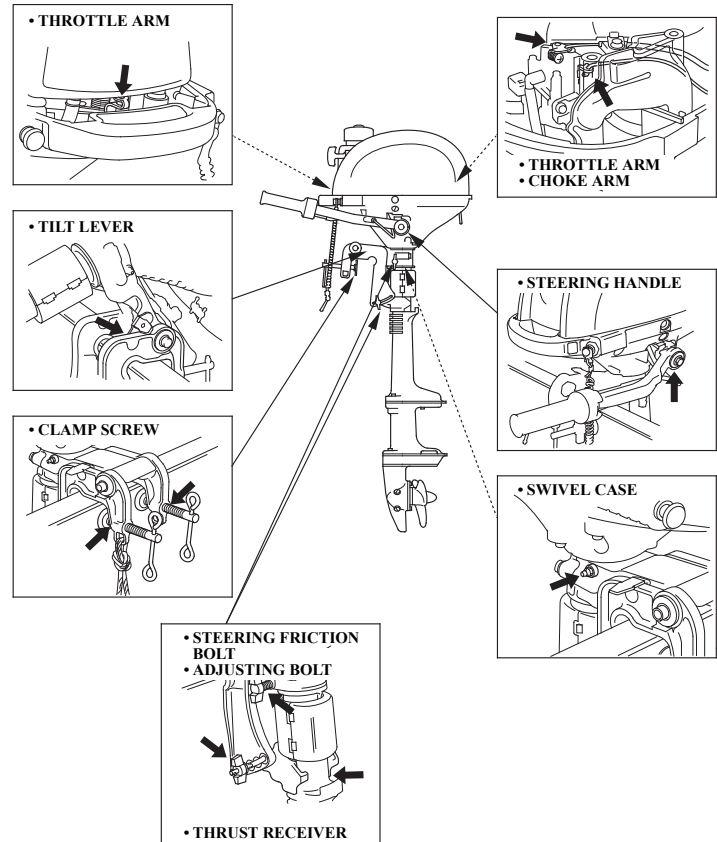
Wipe the outside of the engine with a cloth dipped in clean oil. Apply marine anticorrosion grease to the following parts:

Lubrication interval:

10 hours or a month after the date of purchase for initial lubrication, then every 50 hours or 6 months.

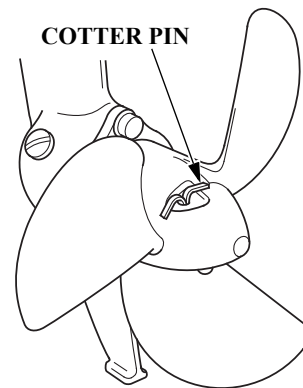
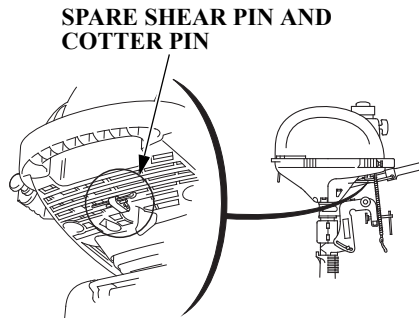
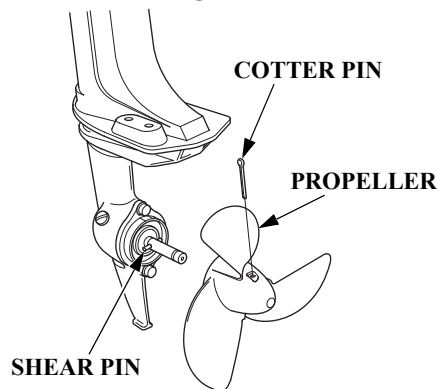
NOTE:

Apply anticorrosion oil to pivot surfaces where grease cannot penetrate.



MAINTENANCE

Shear Pin Change



A shear pin is used to protect the propeller and drive mechanism from damage when the propeller strikes an obstruction.

▲WARNING

- **When replacing, remove the emergency stop switch clip to prevent an accidental startup of the engine.**

- **The propeller is thin and sharp. To protect your hands, wear the heavy gloves during replacement.**

1. Remove the cotter pin and the propeller.
2. Remove the broken shear pin and replace it with a new one.
3. Install the propeller.

4. Install a new cotter pin, and spread the ends of it as shown.

NOTE:

- Use a genuine Honda cotter pin and bend the pin ends as shown.

Servicing a Submerged Outboard Motor

A submerged outboard motor must be serviced immediately after it is recovered from the water in order to minimize corrosion.

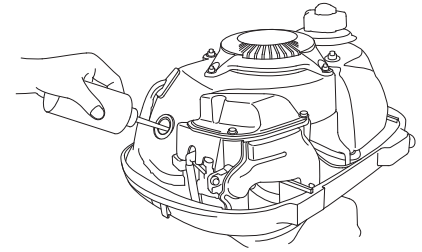
If there is a Honda outboard motor dealership nearby, take the outboard motor immediately to the dealer. If you are far from a dealership, proceed as follows:

1. Remove the engine cover, and rinse the outboard motor with fresh water to remove salt water, sand, mud, etc.
2. Drain the fuel tank into a suitable container.
3. Loosen the carburetor drain screw, drain the contents of the carburetor into a suitable container, then retighten the drain screw (see page 62).

4. Change the engine oil (see page 52). If there was water in the engine crankcase, or if the used engine oil showed signs of water contamination, then a second engine oil change should be performed after running the engine for 1/2 hour.
5. Remove the spark plug.
Disengage the emergency stop switch clip from the emergency stop switch and pull the starter grip several times to completely expel water from the cylinder.

NOTICE

- **When cranking the engine with an open ignition circuit (spark plug removed from the ignition circuit), disengage the emergency stop switch clip to prevent electrical damage to the ignition system.**



- **If the outboard motor was running when it submerged, there may be mechanical damage, such as bent connecting rods. If the engine binds when cranked, do not attempt to run the outboard motor until it has been repaired.**

6. Pour a teaspoon (3 – 5 cm³) of engine oil into the spark plug hole, then pull the starter grip several times to lubricate the inside of the cylinder.
Reinstall the spark plug and engage the emergency stop switch clip with the emergency stop switch.

MAINTENANCE

7. Attempt to start the engine.

▲WARNING

Exposed moving parts can cause injury. Use extreme care when installing the engine cover. Do not operate the outboard motor without the engine cover.

- If the engine fails to start, remove the spark plug, clean and dry the electrode, then reinstall the spark plug and attempt to start the engine again.
- If the engine starts, and no mechanical damage is evident, continue to run the engine for 1/2 hour or longer (be sure the water level is at least 150 mm (6 in) above the antiventilation plate).

8. As soon as possible, take the outboard motor to a Honda outboard motor dealer for inspection and service.

For longer service life of the outboard motor, have your outboard motor serviced by an authorized Honda outboard motor dealer before storage. However, the following procedures can be performed by you, the owner, with a minimum of tools.

Fuel

NOTE:

Gasoline spoils very quickly depending on factors such as light exposure, temperature and time. In worst cases, gasoline can be contaminated within 30 days. Using contaminated gasoline can seriously damage the engine (carburetor clogged, valve stuck). Such damage due to spoiled fuel is disallowed from coverage by the warranty.

To avoid this please strictly follow these recommendations:

- Only use specified gasoline (see page 25).
- Use fresh and clean gasoline.
- To slow deterioration, keep gasoline in a certified fuel container.
- If long storage (more than 30 days) is foreseen, drain fuel tank and carburetor.

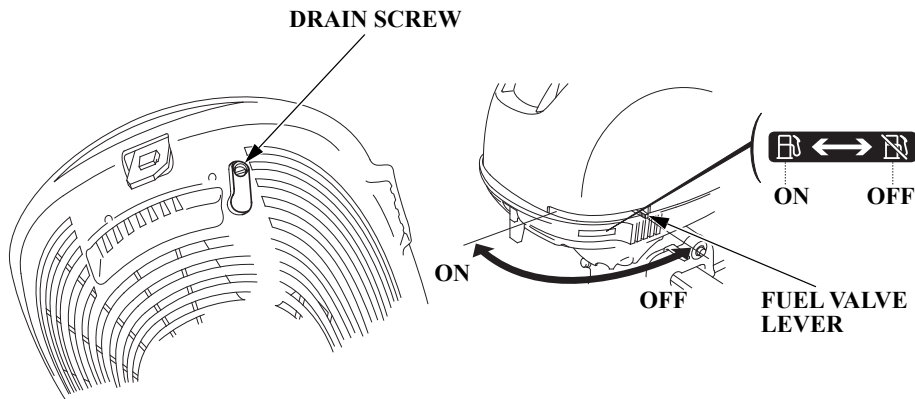
STORAGE

Draining the Gasoline

▲WARNING

Gasoline is extremely flammable, and gasoline vapor can explode, causing serious injury or death. Do not smoke or allow flames or sparks in your working area. **KEEP OUT OF REACH OF CHILDREN.**

- Be careful not to spill fuel. Spilled fuel or fuel vapor may ignite. If any fuel is spilled, make sure the area is dry before storing or transporting the outboard motor.
- Do not smoke or allow flames or sparks where fuel is drained or stored.



1. Turn the fuel valve lever to the OFF.
2. Open the fuel filler cap vent knob.
3. Remove the fuel filler cap and drain the gasoline from the fuel tank into a suitable container.
4. Turn the fuel valve lever to the ON, loosen the carburetor drain screw, and drain the gasoline into a suitable container.
5. After draining, retighten the drain screw.
6. Reinstall the fuel filler cap.
7. Make sure the fuel filler cap vent knob is turned to OFF.

Engine Oil

1. Change the engine oil (see page 52).
2. Remove the spark plug (see page 55), and remove the clip from the emergency stop switch.
3. Pour a teaspoon (3–5 cm³) of clean engine oil into the cylinder.
4. Pull the starter grip slowly several times to distribute the oil in the cylinder.
5. Reinstall the spark plug.

Storage Position of the Outboard Motor

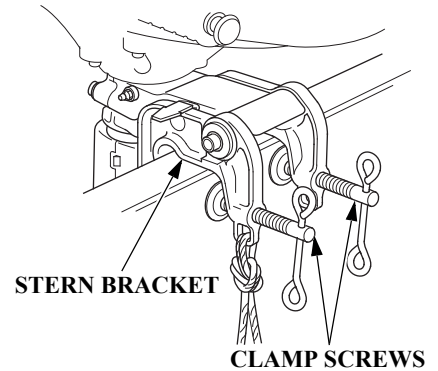
Store the outboard motor either vertically or horizontally as follows with the steering handle folded.

Store the outboard motor in a clean and dry area.

NOTE:

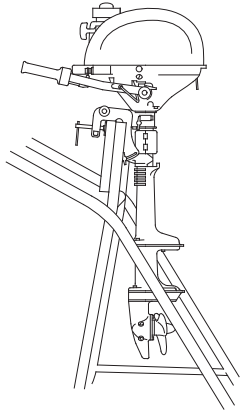
Before storing, clean, flush and lubricate the outboard motor as described on page 57.

Vertical storage



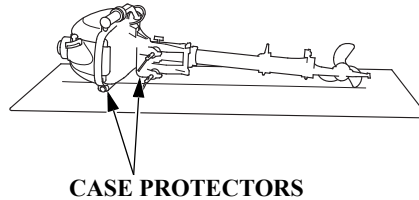
1. Attach the stern brackets to a motor stand and tighten the clamp screws to install the outboard motor securely.

STORAGE



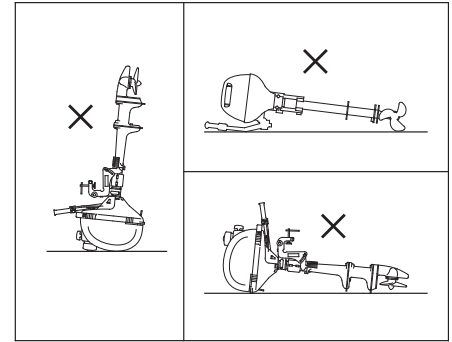
2. Store the outboard motor as shown above.

Horizontal storage



Rest the outboard motor on the case protectors with the tiller handle folded.

INCORRECT



NOTICE

- Any other transport or storage position may cause damage or oil leakage.
- If the outboard motor is tilted in the reverse position, crankcase oil will enter the cylinder and may cause difficult starting or may prevent the engine from being cranked.

To protect the environment, do not dispose of this product, battery, engine oil, etc. carelessly by leaving them in the waste. Observe the local laws and regulations or consult your dealer for disposal.

15. TROUBLESHOOTING

<Engine fails to start>

1. Emergency stop switch clip is not engaged. —————> Engage the emergency stop switch clip in place. (page 29)
2. Throttle grip is not in the START position. —————> Move the throttle grip to the START position. (page 30)
3. Out of fuel. —————> Supply fuel. (page 25)
4. Fuel valve is not opened. —————> Move the fuel valve lever to the ON position. (page 28)
5. Fuel filler cap vent knob is not turned ON. —————> Open the fuel filler cap vent knob. (page 28)
6. Fuel is not reaching the carburetor. —————> Loosen the carburetor drain screw to see if there is fuel in the carburetor float bowl. (page 62)
7. Engine is flooded. —————> Clean and dry the spark plug. (page 55)
8. Plug cap is not installed properly. —————> Install plug cap securely. (page 56)

<Engine speed fluctuates or engine stalls>

1. Fuel level is low. —————> Add fuel. (page 25)
2. Fuel filter is clogged. ———> Replace fuel filter.
3. Spark plug is fouled. ———> Remove spark plug and dry and clean it. (page 55)
4. Spark plug heat range is incorrect ———> Replace with spark plug of proper heat range. (page 55)
5. Spark plug gap is incorrect. —————> Adjust to proper gap. (page 55)

<Engine speed does not increase>

1. Fuel filter is clogged. ———> Replace fuel filter.
2. Engine oil level is low. ———> Check engine oil and add to specified level. (page 23)
3. Unmatched propeller is selected. ———> Consult with an authorized Honda outboard motor dealer.
4. Passengers are not distributed equally. —————> Distribute the passengers equally.
5. Outboard motor is not installed properly. ———> Install the outboard motor in the proper position. (pages 19 to 21)

<Engine overheats>

1. Engine is overloaded because of unequally distributed passengers or excessive load on the boat. —————> Distribute the passengers equally. Do not load on the boat excessively.
2. Ventilation. —————> Install the outboard motor in the proper position. (page 19)

<Engine overrevs>

1. Ventilation. —————> Install the outboard motor in the proper position. (page 19)
2. Shear pin is damaged. ———> Replace shear pin. (page 58)
3. Unmatched propeller is selected. ———> Consult with an authorized Honda outboard motor dealer.
4. Trim angle is not correct. ———> Trim to correct angle. (page 21)

16. SPECIFICATIONS

MODEL	BF2.3D	
Description Code	BABC	
Shaft Length	S (Short)	L (Long)
Type	SCHU SCHD SCHH	LCHU LCHD
Overall length	412 mm (16.2 in)	
Overall width	285 mm (11.2 in)	
Overall height	956 mm (37.6 in)	1,109 mm (43.7 in)
Transom height (when Transom angle is 5°)	418 mm (16.5 in)	571 mm (22.5 in)
Dry mass (weight)*	13.6 kg (30.0 lbs)	14.3 kg (31.5 lbs)
Rated power	1.7 kW (2.3 PS)	
Full throttle range	5,000 – 6,000 min ⁻¹ (rpm)	
Engine type	4-stroke, overhead valve, single cylinder	
Displacement	57.2 cm ³ (3.49 cu-in)	
Valve tappet clearance	Intake: 0.06 – 0.10 mm (0.002 – 0.004 in) Exhaust: 0.09 – 0.13 mm (0.004 – 0.005 in)	
Spark plug gap	0.6 – 0.7 mm (0.024 – 0.028 in)	
Starter system	Recoil starter	
Ignition system	Transistorized magneto	

Lubrication system	Oil slinger system
Specified oil	Engine: API standard SG, SH, SJ, SAE 10W-30 Gear case: API standard (GL-4) SAE 90 Hypoid gear oil
Oil capacity	Engine: 0.25 L (0.26 US qt, 0.22 Imp qt) Gear case: 0.05 L (0.05 US qt, 0.04 Imp qt)
Cooling system	Forced air cooling
Exhaust system	Underwater exhaust
Spark plug	LR4C-E (NGK)
Fuel	Automotive unleaded gasoline (91 research octane, 86 pump octane, or higher)
Tank capacity	1.1 L (0.29 US gal, 0.24 Imp gal)
Steering equipment	Bar handle
Steering angle	360°
Transom angle	4 stages (5° -10° -15° -20°)
Tilt angle	75° (when Transom angle is 5°)
Standard propeller (No. of blades – diameter × pitch)	3 – 184 × 120 mm (3 – 7-1/4 × 4-3/4 in)

* With propeller

Honda outboards are power rated in accordance with ISO8665 (propeller shaft output).

Noise and Vibration [SCHU and LCHU types]

MODEL	BF2.3D
CONTROL SYSTEM	T (Tiller handle)
Sound Pressure level at operator's ears (2006/42/EC, ICOMIA 39-94)	83 dB (A)
Uncertainty	2 dB (A)
Measured sound power level (Reference to EN ISO3744)	89 dB (A)
Uncertainty	2 dB (A)
Vibration level at hand arm (2006/42/EC, ICOMIA 38-94)	7.0 m/s ²
Uncertainty	2.1 m/s ²

Reference to: ICOMIA Standard: as it specifies the engine operating conditions and measurement conditions.

17. MAJOR Honda DISTRIBUTOR ADDRESSES

For further information, please contact Honda Customer Information Centre at the following address or telephone number:

For European

AUSTRIA

Honda Austria GmbH

Hondastraße 1
2351 Wiener Neudorf
Tel. : +43 (0)2236 690 0
Fax : +43 (0)2236 690 480
<http://www.honda.at>
✉ HondaPP@honda.co.at

BALTIC STATES

**(Estonia/Latvia/
Lithuania)**

Honda Motor Europe Ltd

Tulika 15/17
10613 Tallinn
Tel. : +372 6801 300
Fax : +372 6801 301
✉ honda.baltic@honda-eu.com

BELGIUM

Honda Belgium

Doornveld 180-184
1731 Zellik
Tel. : +32 2620 10 00
Fax : +32 2620 10 01
<http://www.honda.be>
✉ BH_PE@HONDA-EU.COM

BULGARIA

Kirov Ltd.

49 Tsaritsa Yoana Blvd
1324 Sofia
Tel. : +359 2 93 30 892
Fax : +359 2 93 30 814
www.kirov.net
✉ honda@kirov.net

CROATIA

Fred Bobek d.o.o.

Honda-Marine Croatia - Trg. - Ind.
zona bb
22211 Vodice
Tel. : +385 22 44 33 00/33 10
Fax : +385 22 44 05 00
www.honda-marine.hr

CYPRUS

Alexander Dimitriou & Sons Ltd.

162, Yiannos Kranidiotis
Avenue
2235 Latsia, Nicosia
Tel. : +357 22 715 300
Fax : +357 22 715 400

CZECH REPUBLIC

BG Technik cs, a.s.

U Zavodiste 251/8
15900 Prague 5 - Velka Chuchle
Tel. : +420 2 838 70 850
Fax : +420 2 667 111 45
www.hondamarine.cz

DENMARK

TIMA A/S

Tårnfælkevej 16
2650 Hvidovre
Tel. : +45 36 34 25 50
Fax : +45 36 77 16 30
<http://www.hondapower.dk>

FINLAND

OY Brandt AB

Tuupakantie 7B
01740 Vantaa
Tel. : +358 207757200
Fax : +358 (0)9 878 5276
www.brandt.fi

FRANCE

Honda Motor Europe Ltd

Relation Clients Produits d'Équipements
Parc d'activités de Pariest, Allée du 1er mai
Croissy Beaubourg BP46, 77312 Marne La
Vallée Cedex 2
Tél. : 01 60 37 30 00
Fax : 01 60 37 30 86
<http://www.honda.fr>
✉ espace-client@honda-eu.com

GERMANY

Honda Deutschland GmbH

Sprendlinger Landstraße 166
63069 Offenbach am Main
Tel. : 01 80 5/20 20 90
Fax : +49 69 8320 20
<http://www.honda.de>
✉ info@post.honda.de

GREECE

Saracakis Brothers S.A.

71, Leoforos Athinon
10173 Athens
Tel. : +30 210 3483582
Fax : +30 210 3418092
<http://www.honda.gr>
✉ info@saracakis.gr

MAJOR Honda DISTRIBUTOR ADDRESSES

For further information, please contact Honda Customer Information Centre at the following address or telephone number:

For European (continued)

HUNGARY

Motor Pedo Co., Ltd.
Kamaraerdei ut 3.
2040 Budaors
Tel. : +36 23 444 971
Fax : +36 23 444 972
<http://www.hondakisgepek.hu>
✉ info@hondakisgepek.hu

ICELAND

Bernhard ehf.
Vatnagarðar 24-26
104 Reykjavík
Tel. : +354 520 1100
Fax : +354 520 1101
www.honda.is

IRELAND

Two Wheels Ltd
M50 Business Park, Ballymount
Dublin 12
Tel. : +353 1 4381900
Fax : +353 1 4607851
<http://www.hondaireland.ie>
✉ Service@hondaireland.ie

ITALY

Honda Italia Industriale S.p.A.
Via della Cecchignola, 13
00143 Roma
Tel. : +848 846 632
Fax : +39 065 4928 400
www.hondaitalia.com
✉ info.marine@honda-eu.com

MALTA

Associated Motors Company Ltd.
New Street in San Gwakkın Road -
Mriehel Bypass
Mriehel QRM17
Tel. : +356 21 498 561
Fax : +356 21 480 150

NETHERLANDS

Honda Nederand B.V.
Afd. Power Equipment
Capronilaan 1
1119 NN Schiphol-Rijk
Tel. : +31 20 7070000
Fax : +31 20 7070001
<http://www.honda.nl>

NORWAY

AS Kellox
Boks 170 - Nygårdsveien 67
1401 Ski
Tel. : +47 64 97 61 00
Fax : +47 64 97 61 92
www.kellox.no

POLAND

Aries Power Equipment Sp. z o.o.
ul. Wroclawska 25
01-493 Warszawa
Tel. : +48 (22) 861 43 01
Fax : +48 (22) 861 43 02
www.ariespower.pl
www.mojahonda.pl
✉ info@ariespower.pl

PORTUGAL

Honda Motor Europe Ltd
Rua Fontes Pereira de Melo 16
Abrunheira, 2714-506 Sintra
Tel. : +351 21 915 53 00
Fax : +351 21 915 88 87
<http://www.honda.pt>
✉ honda.produtos@honda-eu.com

REPUBLIC OF BELARUS

Scanlink Ltd.
Kozlova Drive, 9
220037 Minsk
Tel. : +375 172 999090
Fax : +375 172 999900
<http://www.hondapower.by>

ROMANIA

Hit Power Motor Srl
str. Vasile Stroescu nr. 12, Camera 6,
Sector 2
021374 Bucuresti
Tel. : +40 21 637 04 58
Fax : +40 21 637 04 78
<http://www.honda.ro>
✉ hit_power@honda.ro

RUSSIA

Honda Motor RUS LLC
1, Pridirizhnaya Street,
Sharapovo settlement,
Naro-Fominsky district, Moscow Region,
143350 Russia
Tel. : +7 (495) 745 20-80
Fax : +7 (495) 745 20 81
www.honda.co.ru
✉ postoffice@honda.co.ru

MAJOR Honda DISTRIBUTOR ADDRESSES

For further information, please contact Honda Customer Information Centre at the following address or telephone number:

For European (continued)

SERBIA & MONTENEGRO

Fred Bobek d.o.o.
Honda-Marine Croatia - Trg. - Ind.
zona bb 22211 Vodice
Tel. : +385 22 44 33 00/33 10
Fax : +385 22 44 05 00
www.honda-marine.hr

SLOVAK REPUBLIC

Honda Motor Europe Ltd
Prievozska 6 821 09 Bratislava
Tel. : +421 2 32131112
Fax : +421 2 32131111
<http://www.honda.sk>

SLOVENIA

AS Domzale Moto Center D.O.O.
Blatnica 3A
1236 Trzin
Tel. : +386 1 562 22 62
Fax : +386 1 562 37 05
www.honda-as.com
☒ informacije@honda-as.com

SPAIN & Las Palmas province (Canary Islands)

Greens Power Products, S.L.
Poligono Industrial Congost -
Av Ramon Cuirans n°2
08530 La Garriga - Barcelona
Tel. : +34 93 860 50 25
Fax : +34 93 871 81 80
<http://www.hondaencasa.com>

Tenerife province (Canary Islands)

Automocion Canarias, S.A.
Carretera General del Sur, KM. 8,8
38107 Santa Cruz de Tenerife
Tél. : +34 (922) 620 617
Fax : +34 (922) 618 042
www.aucasa.com
☒ ventas@aucasa.com
☒ taller@aucasa.com

SWEDEN

Honda Nordic AB
Box 31002-Långhusgatan 4
215 86 Malmö
Tel. : +46 (0)40 600 23 00
Fax : +46 (0)40 600 23 19
www.honda.se
☒ hpesinfo@honda-eu.com

SWITZERLAND

Honda Motor Europe Ltd
10 Route des Moulières
1214 Vernier-Genève
Tel. : +41 (0)22 939 09 09
Fax : +41 (0)22 939 09 97
www.honda.ch

TURKEY

Anadolu Motor Uretim ve Pazarlama AS
Esentepe mah. Anadolu cad. No: 5
Kartal 34870 Istanbul
Tel. : +90 216 389 59 60
Fax : +90 216 353 31 98
www.anadolumotor.com.tr
☒ antor@antor.com.tr

UKRAINE

Honda Ukraine LLC
101 Volodymyrska Str. - Build. 2
Kyiv 01033
Tel. : +380 44 390 14 14
Fax : +380 44 390 14 10
<http://www.honda.ua>
☒ CR@honda.ua

UNITED KINGDOM

Honda Motor Europe Ltd
470 London Road
Slough - Berkshire, SL3 8QY
Tel. : +44 (0)845 200 8000
<http://www.honda.co.uk>

For Australian

AUSTRALIA

Honda Australia Motorcycle and Power Equipment Pty. Ltd
1954-1956 Hume Highway
Campbellfield Victoria 3061
Tel. : (03) 9270 1111
Fax : (03) 9270 1133
<http://www.hondampe.com.au/>

For Mexico

MEXICO

Honda de Mexico, S.A. de C.V.
Carretera a el castillo No. 7250
El Salto, Jalisco C.P.45680
TEL:+52 33 32 84 00 00
FAX:+52 33 32 84 00 60
<http://www.honda.com.mx>

MAJOR Honda DISTRIBUTOR ADDRESSES

18. "EC DECLARATION OF CONFORMITY" CONTENT OUTLINE

1) EC-DECLARATION OF CONFORMITY	
2) THE UNDERSIGNED, (15), REPRESENTING THE MANUFACTURER, HEREWITH DECLARES THAT THE PRODUCT IS IN CONFORMITY WITH THE PROVISIONS OF THE FOLLOWING EC-DIRECTIVES	
2006/42/EC, 2004/108/EC	
3) REFERENCE TO HARMONIZED STANDARDS:	EN ISO 8178 EN ISO 14509
4) DESCRIPTION OF THE MACHINERY	
5) Generic denomination: Outboard engine 6) Function: Propulsion system 7) MAKE: Honda	
8) TYPE:	9) SERIAL NUMBER:
<input type="text"/>	<input type="text"/>
10) Manufacturer:	Honda Mindong Generator Co.,Ltd. No.7, Houyu Road Fuxing Economic Development Zone, Fuzhou City, Fujian Province, P.R.China
11) Authorized representative and able to compile the technical documentation:	Honda Motor Europe Ltd. Cain Road Bracknell, RG12 1HL United Kingdom
12) SIGNATURE:	<input type="text"/>
13) NAME:	<input type="text"/>
14) TITLE:	<input type="text"/>
16) DATE:	<input type="text"/>
17) PLACE:	<input type="text"/>

“EC DECLARATION OF CONFORMITY” CONTENT OUTLINE

<p>1) DECLARATION CE DE CONFORMITE 2) LE SOUSSIGNÉ,(15), REPRESENTANT DU CONSTRUCTEUR, DÉCLARE PAR LA PRÉSENTE QUE LE PRODUIT EST CONFORME AUX DISPOSITIONS DES DIRECTIVES CE SUIVANTES 3) REFERENCE AUX NORMES HARMONISÉES 4) DESCRIPTION DE MACHINE 5) Denomination générique: moteur hors-bord 6) Fonction : Système de propulsion 7) MARQUE 8) TYPE 9) NUMÉRO DI SERIE 10) CONSTRUCTEUR 11) Représentant autorisé et en charge des éditions de documentation techniques 12) SIGNATURE 13) NOM 14) TITRE 15) Directeur Qualité 16) DATE 17) LIEU</p>	français (FRENCH)
<p>1) DICHIARAZIONE DI CONFORMITA' CE 2) IL SOTTOSCRITTO, (15), RAPPRESENTANTE DEL COSTRUTTORE, DICHIARA QUI DI SEGUITO CHE IL PRODOTTO E' CONFORME A QUANTO PREVISTO DALLE SEGUENTI DIRETTIVE COMUNITARIE 3) RIFERIMENTO ALLE NORME ARMONIZZATE 4) DESCRIZIONE DELLA MACCHINA 5) Denominazione generica: MOTORE FUORIBORDO 6) Funzione : Sistema di propulsione 7) MARCA 8) TIPO 9) NUMERO DI SERIE 10) FABBRICANTE 11) Rappresentante autorizzato e competente per la compilazione della documentazione tecnica 12) FIRMA 13) NOME 14) TITOLO 15) DIRETTORE DELLA QUALITA' 16) ADDI 17) LUOGO</p>	italiano (ITALIAN)
<p>1) EG-VERKLÄRUNG VAN OVEREENSTEMMING 2) DER UNTERZEICHNER, (15), DER DEN HERSTELLER VERTRIT, ERKLÄRT HIERMIT, DAB DAS PRODUKT IN ÜBEREINSTIMMUNG MIT DEN BESTIMMUNGEN DER NACHSTEHENDEN EG-RICHTLINIEN IST 3) VERWEIS AUF HARMONISIERTE NORMEN 4) BESCHREIBUNG DER MASCHINE 5) Allgemeine Bezeichnung : Außenbordmotor 6) Funktion : Antriebsart 7) FABRIKAT 8) TYP 9) SERIEN NUMMER 10) HERSTELLER 11) Bevollmächtigter und in der Position, die technische Dokumentation zu erstellen 12) UNTERSCHIFT 13) NAME 14) TITEL 15) Qualitätssi Cherung 16) DATUM 17) ORT</p>	deutsch (GERMAN)
<p>1) EG-VERKLARING VAN OVEREENSTEMMING 2) ONDERGETEKENDE, (15), VERTEGENWOORDIGER VAN DE FABRIKANT, VERKLAART HIERMEE DAT HET PRODUCT VOLDOET AAN DE BEPALINGEN VAN DE VOLGENDE EG-RICHTLIJNEN 3) REFERENTIE NAAR GEHARMONISEERDE NORMEN 4) BESCHRIJVING VAN DE MACHINE 5) Algemene benaming : buitenboordmotor 6) Functie : Aandrijfsysteem 7) FABRIKAT 8) TYPE 9) SERIEN UMMER 10) FABRIKANT 11) Gemachtigde van de fabrikant en in staat om de technische documentatie samen te stellen 12) HANDTEKENING 13) NAAM 14) TITEL 15) Directeur Kwaliteitszorg 16) DATUM 17) PLAATS</p>	nederlands (DUTCH)
<p>1) ΕΚ-ΔΗΛΩΣΗ ΕΝΑΡΜΟΝΙΣΗΣ 2) Ο ΥΠΟΓΡΑΦΩΝ, (15), ΕΚΠΡΟΣΩΠΟΥΝΤΑΣ ΤΟΝ ΚΑΤΑΣΚΕΥΑΣΤΗ, ΔΙΑ ΤΟΥ ΠΑΡΟΝΤΟΣ ΔΗΛΩΝΕΙ ΟΤΙ ΤΟ ΠΡΟΪΟΝ ΒΡΙΣΚΕΤΑΙ ΣΕ ΕΝΑΡΜΟΝΙΣΗ ΜΕ ΤΙΣ ΠΡΟΒΛΕΨΕΙΣ ΤΩΝ ΚΑΤΩΘΙ ΟΔΗΓΙΩΝ ΤΗΣ ΕΕ 3) ΠΑΡΑΠΟΜΠΗ ΣΤΑ ΕΝΑΡΜΟΝΙΣΜΕΝΑ ΠΡΟΤΥΠΑ 4) ΠΕΡΙΓΡΑΦΗ ΜΗΧΑΝΗΜΑΤΟΣ 5) Γενική ονομασία : Εξωλέμβια μηχανή 6) Λειτουργία : Σύστημα Πρόωσης 7) ΕΡΓΟΣΤΑΣΙΟ ΚΑΤΑΣΚΕΥΗΣ 8) ΤΥΠΟΣ 9) ΑΡΙΘΜΟΣ ΣΕΙΡΑΣ 10) ΚΑΤΑΣΚΕΥΑΣΤΗΣ 11) Εξουσιοδοτημένος αντιπρόσωπος και είναι σε θέση να καταρτίσει τον τεχνικό φάκελο 12) ΥΠΟΓΡΑΦΗ 13) ΟΝΟΜΑ 14) ΤΙΤΛΟΣ 15) Υπεύθυνος Ποιότητας 16) ΗΜΕΡΟΜΗΝΙΑ 17) ΤΟΠΟΣ</p>	Ελληνικά (GREEK)
<p>1) EF OVERENSSTEMMELSESERKLÆRING 2) UNDERTEGNEDE, (15), DER PEPRÆSENTERER FABRIKANTEN, ERKLÆRER HERMED AT PRODUKTET ER I OVERENSSTEMMELSE MED BESTEMMELSERNE I FØLGE EF DIREKTIVERNE 3) REFERENCE TIL HARMONISERED E STANDARDER 4) BESKRIVELSE AF MASKINEN 5) FÆLLESBETEGNELSE : Utenbordsmotor 6) ANVENDELSE : Fremdrivningssystem 7) FABRIKANT 8) TYPE 9) SERIEN UMMER 10) FABRIKANT 11) AUTORISERET REPRÆSENTANT OG I STAND TIL AT UDARBEJDE DEN TEKNISKE DOKUMENTATION 12) SIGNATURE 13) NAVN 14) TITEL 15) Kvalitets Leder 16) DATO 17) STED</p>	dansk (DANISH)

“EC DECLARATION OF CONFORMITY” CONTENT OUTLINE

<p>1) DECLARACIÓN DE CONFORMIDAD 2) EL ABAJO FIRMANTE, (15), EN REPRESENTACIÓN DE FABRICANTE, DECLARA QUE EL PRODUCTO ES CONFORME CON LAS DISPOSICIONES DE LAS SIGUIENTES DIRECTIVAS CE 3) REFERENCIA A ESTÁNDARES ARMONIZADOS 4) DESCRIPCIÓN DE LA MAQUINARIA 5) Denominación genérica : Motor fueraborda 6) Función : Sistema de propulsión 7) MARCA 8) TIPO 9) NUMERO DE SERIE 10) FABRICANTE 11) Representante autorizado que puede compilar el expediente técnico 12) FIRMA 13) NOMBRE 14) CARGO 15) Director de calidad 16) FECHA 17) LUGAR</p>	español (SPANISH)
<p>1) DECLARAÇÃO CE DE CONFORMIDADE 2) O ABAIXO ASSINADO, (15), EM REPRESENTAÇÃO DO FABRICANTE, PELA PRESENTE DECLARA QUE O PRODUTO ESTÁ EM CONFORMIDADE COM O ESTABELECIDO NAS SEGUINTE DIRECTIVAS COMUNITÁRIAS 3) REFERÊNCIA AS NORMAS HARMONIZADAS 4) DESCRIÇÃO DA MÁQUINA 5) Denominação genérica : Motor fora de borda 6) Função : Sistema propulsor 7) MARCA 8) TIPO 9) NÚMERO DE SÉRIE 10) FABRICANTE 11) Mandatário com capacidade para compilar documentação técnica 12) ASSINATURA 13) NOME 14) TÍTULO 15) Director de Qualidade 16) DATA 17) LOCAL</p>	português (PORTUGUESE)
<p>1) EY-VAATIMUSTENMUKAISUUSVAKUUTUS 2) ALLEKIRJOITANNUT, (15), JOKA EDUSTAA VALMISTAJAA, VAKUUTTAA TÄTEN, ETTÄ TUOTE ON SEURAAVIEN EU-DIREKTIIVIEN VAATIMUSTEN MUKAINEN 3) VITTAUS YHTEISIIN STANDARDEIHIN 4) KUVAUS LAITTEESTA 5) Yleisarvomäärä : Peramoottori 6) Toiminto : Työntöjärjestelmä 7) MERKKI 8) MALLI 9) SARJANUMERO 10) VALMISTAJA 11) Valmistajan edustaja ja teknisten dokumenttien laatija 12) ALLEKIRJOITUS 13) NIMI 14) TITTELI 15) Laatuapäällikkö 16) PÄIVÄMÄÄRÄ 17) PAIKKA</p>	suomi / suomen kieli (FINNISH)
<p>1) ЕО-ДЕКЛАРАЦИЯ ЗА СЪОТВЕТСТВИЕ 2) ДОЛУ ПОДШИСАЛИЯТ СЕ (15), ПРЕДСТАВЛЯВАЩ ДИСТРИБУТОРА, ДЕКЛАРИРА, ЧЕ ПРОДУКТА СЪОТВЕТСТВА НА ИЗСКВАНИЯТА НА СЛЕДНИТЕ ЕВРОПЕЙСКИ ДИРЕКТИВИ 3) СЪОТВЕТСТВИЕ С ХАРМОНИЗИРАНИТЕ СТАНДАРТИ 4) ОПИСАНИЕ НА АРТИКУЛА 5) Общо наименование : ИЗВЪН БОРДОВИ ДВИГАТЕЛ 6) Функция : Задвижваща система 7) МАРКА 8) ТИП 9) СЕРИЕН НОМЕР 10) ПРОИЗВОДИТЕЛ 11) Упълномощен представител и отговорник за съставяне на техническа документация 12) ПОДПИС 13) ИМЕ 14) ТИТЛА 15) МЕНИДЖЪР НА КАЧЕСТВОТО 16) ДАТА 17) МЯСТО</p>	български (BULGARIAN)
<p>1) EG-FÖRSÄKRAN OM ÖVERENSSTÄMMELSE 2) UNDERTECKNAD, (15), REPRESENTERANDE TILLVERKARE, FÖRSÄKRAR HÄRMED ATT PRODUKTEN ÖVERENSSTÄMMER MED BESTÄMMELSERNA I FÖLJANDE EG-DIREKTIVE 3) REFERERANDE TILL HARMONISERADE STANDARDER 4) BESKRIVNING AV UTRUSTNINGEN 5) Allmän benämning : Utomborotsmotor 6) Funktion : Framdrivningssystem 7) MERKKI 8) TYPBETECKNING 9) SERIENUMER 10) TILLVERKARE 11) Auktoriserad representant och ska kunna sammanställa teknisk dokumentationen. 12) SIGNATUR 13) NAMN 14) TITEL 15) Kvalitetstschef 16) DATUM 17) ORT</p>	svenska (SWEDISH)
<p>1) DEKLARACJA ZGODNOŚCI WE 2) NIŻEJ PODPISANY (15), REPREZENTUJĄCY PRODUCENTA, DEKLARUJE Z CAŁĄ ODPOWIEDZIALNOŚCIĄ, ŻE PRODUKT SPELNI WYMAGANIA ZAWARTE W NASTĘPUJĄCYCH DYREKTYWACH UNIJNYCH 3) ZASTOSOWANE NORMY ZHARMONIZOWANE 4) OPIS URZĄDZENIA 5) Ogólne określenie : Silnik zaburtowy 6) Funkcja : Układ napędowy 7) MARKA 8) TYP 9) NUMERY SERYJNE 10) PRODUCENT 11) Upoważniony Przedstawiciel oraz osoba upoważniona do przygotowania dokumentacji technicznej 12) PODPIS 13) NAZWISKO 14) TYTUŁ 15) Menadżer Jakości 16) DATA 17) MIEJSCE</p>	polski (POLISH)

“EC DECLARATION OF CONFORMITY” CONTENT OUTLINE

<p>1) MEGFELELOESÉGI NYILATKOZAT 2) ALULÍRÓTT (15), MINT A GYÁRTÓ KÉPVISELŐJE NYILATKOZIK, HOGY AZ ALABBI TERMÉK MINDENBEN MEGFELEL A KÖVETKEZŐ EC ELŐÍRÁSOK RENDELKEZÉSEINEK: 98/37/EC, 89/336/EEC-93/68/EC: 3) ÖSSZHANGBAN A KÖV. SZABVÁNYOKKAL 4) A GÉP LEÍRÁSA 5) Általános megnevezés : KÜLSŐ CSŐNAKMOTOR 6) Funkció : Hajtás rendszer 7) GYÁRTÓTTA 8) TÍPUS 9) SORSZÁM 10) GYÁRTÓ 11) Meghatalmazott képviselője és képes összeállítani a műszaki dokumentációt. 12) ALÁÍRÁS 13) NÉV 14) BEOSZTÁS 15) MINŐSÉGI IGAZGATÓ 16) KELTEZÉS DÁTUMA 17) KELTEZÉS HELYE</p>	magyar (HUNGARIAN)
<p>1) Prohlášení o shodě 2) ZÁSTUPCE VÝROBCE, (15), SVÝM PODPÍSEM POTVRZUJE, ŽE DANÝ VÝROBEK JE V SOULADU S NÁSLEDUJÍCÍMI SMĚRNICEMI A NORMAMI EVROPSKÉHO SPOLEČENSTVÍ: 3) ODKAZ NA HARMONIZOVANÉ NORMY: 4) POPIS VÝROBKU 5) Všeobecné označení : ZÁVĚSNÝ LODNÍ MOTOR 6) Funkce : Pohonný systém 7) ZNAČKA: 8) TYP: 9) VÝROBNÍ ČÍSLO: 10) VÝROBCE: 11) Zplnomocněný zástupce a osoba pověřená komplectací technické dokumentace 12) PODPIS: 13) JMÉNO: 14) POZICE 15) Manažer kvality 16) DATUM: 17) MÍSTO:</p>	čestina (CZECH)
<p>1) ES VYHLÁSENIE O ZHODE 2) DOLUPODPÍSANÝ, (15), ZASTUPUJÚCI VÝROBCU, TYMTO DEKLARUJE, ŽE PRODUKT JE V SÚLADE S USTANOVENIAMÍ NASLEDOVNÝCH SMERNÍC ES 3) REFERENCIA K HARMONIZOVANÝM ŠTANDARDOM 4) IDENTIFIKÁCIA STROJVO 5) Druhové označenie : ZÁVESNÝ LODNÝ MOTOR 6) Funkcia : Systém pohonu 7) VÝROBCA/ZNAČKA 8) TYP 9) SÉRIOVÉ ČÍSLO 10) VÝROBCA 11) Autorizovaný zástupca schopný zostaviť technickú dokumentáciu 12) PODPIS 13) MENO 14) POZÍCIA 15) MANAŽÉR KVALITY 16) DÁTUM 17) MIESTO</p>	slovenčina (SLOVAK)
<p>1) EF SAMSVARSÆRKLÆRING 2) UNDERTEGNEDE, (15), SOM REPRESENTERER FABRIKANTEN, ERKLÆRER HERVED AT PRODUKTET ER I OVERENSSTEMMELSE MED BESTEMMELSENE I FØLGENDE EU DIREKTIV 3) REFERANSER TIL HARMONISEREDE STANDARDER 4) BESKRIVELSE AV MASKINEN 5) Felles benevnelse : Utenbordsmotor 6) Funksjon : Fremdrifts system 7) FABRIKANT 8) TYPE 9) SERIE NUMMER 10) FABRIKANT 11) Autorisert representant og i stand til å utarbeide den tekniske dokumentasjonen 12) SIGNATUR 13) NAVN 14) TITTEL 15) Kvalitetssjef 16) DATO 17) STED</p>	norsk (NORWEGIAN)
<p>1) EB-YFIRLÝSING 2) UNDIRRITADUR HR, (15) LYSI YFIR FYRIR HÖND FRAMLEIÐANDA AÐ VARAN UPPFYLLIR EFTIRFARANDI EC-TILSKIPANIR 3) TILVÍSUN UM HEILDARSTAÐAL 4) LÝSING Á VÉLBÚNAÐI 5) Flokkur : Utanbörsmótorar 6) Virkni : knúningsafl kerfi 7) FRAMLEIÐSLA 8) GERÐ 9) SERÍAL NÚMER 10) FRAMLEIÐANDI 11) Löggildir aðilar og fær um að taka saman tekniskjölin 12) UNDIRSKRIFT 13) NAFN 14) TITILL 15) Skráningarstjóri 16) DAGSETNING 17) STAÐUR</p>	Íslenska (ICELANDIC)
<p>1) DECLARATIE DE CONFORMITATE. 2) SUBEMNATUL, (15), REPRESENTAND PE PRODUCATOR, DECLAR PRIN PREZE NTA CA PRODUSUL ESTE IN CONFORMITATE CU PREVEDERILE URMATOARELOR DIRECTIVE CE 3) REFERIRE LA STANDARDELE ARMONIZATE: 4) DESCRIEREA ECHIPAMENTULUI 5) Denumire generica : MOTOR IN AFARA BORDULUI (EXTERN) 6) Domeniu de utilizare : Sistem de propulsie 7) MARCA 8) TIPUL 9) NUMAR DE SERIE 10) PRODUCATOR 11) Reprezentant autorizat și abilitat să realizeze documentație tehnică 12) SEMNATURA 13) NUME 14) TITLUL 15) DIRECTOR DE CALITATE 16) DATA 17) LOCATIE</p>	română (ROMANIAN)

“EC DECLARATION OF CONFORMITY” CONTENT OUTLINE

<p>1)EÜ VASTAVUSDEKLARATSIOON 2)ALLAKIRJUTANÜ, (15), ESINDADES TOOTJAT, DEKLAREERIB SIINKOHAL, ET TOODE ON VASTAVUSES JÄRGMISTE EC DIREKTIIVIDE SÄTETEGA 3)VIIDE ÜHTLUSTATUD STANDARDITELE: 4)MEHCHANISMI KIRJELDUS 5)Üldnimetus : Pardaväline mootor 6) Funktsiooon : Tõukursüsteem 7)VALMISTAJA: 8)TÜÜP: 9)SEERIANUMBER: 10)TOOTJA: 11) Volitatud esindaja, kes on pädev täitma tehnilist dokumentatsiooni 12)ALLKIRI: 13)NIMI: 14)AMET 15)Kvaliteedijuht 16)KUUPÄEV: 17)KOHT:</p>	estni (ESTONIAN)
<p>1) EK ATBILSTĪBAS DEKLARĀCIJA 2) ZEMĀK MINĒTAIS, (15), KĀ RAŽOTĀJA PĀRSTĀVIS AR ŠO APSTĪPRINA, KA ŠIS PRODUKTS PILNĪBĀ ATBILST VISIEM STANDARTIEM, KAS ATRUNĀTI SEKOJOŠAJĀS EC-DIREKTĪVĀS 3) Atsaucoties uz saskaņotajiem standartiem 4) Iekārtas apraksts 5) Vispārējais nosukums : Piekariņamais laivas dzinējs 6) Funkcija : Virzošā spēka sistēma 7) Preču zīme 8) Tips 9) Sērijas numurs 10) Izgatavotājs 11) Autorizētais pārstāvis, kas spēj sastādīt tehnisko dokumentāciju 12) Paraksts 13) Vārds, Uzvārds 14) Tituls 15) Kvalitātes vadītājs 16) Datums 17) Vieta</p>	latviešu (LATVIAN)
<p>1) EB ATITIKTIYES DEKLARACIJA 2) ŽEMIAUI PASIRAŠES, (15), ATSTOVAUJANTIS GAMINTOJĀ DEKLARUOJA KAD PRODUKTAS ATITINKA REIKALAVĪMUS PAGAL ŠIAS EB DIREKTVĀS. 3) NUORODA Į HARMONIZUOTUS STANDARTUS. 4) MAŠINOS APRAŠYMAS. 5) Bendras pavadinimas : PAKABINAMAS VARIKLIS 6) Funkcija : Varomasis būdas 7) MARKĖ. 8) TIPAS 9) SERIJINIS NUMERIS. 10) GAMINTOJAS. 11) Įgaliojasis atstovas ir galintis sudaryti techninę dokumentaciją 12) PARAŠAS. 13) V. PAVARDĖ 14) PAREIGOS 15) KOKYBĖS VADYBININKAS. 16) DATA. 17) VIETA</p>	lietuvių kalba (LITHUANIAN)
<p>1) ES-DEKLARACIJA O USTREZNOSTI 2) PODPISANI (15), PREDSTAVNIK PROIZVAJALCA, IZJAVLJAM DA IZDELKI USTREZAJO NASLEDNJIM DEKLARACIJAM 3) SKLADNOST Z NASLEDNJIMI STANDARDI 4) OPIS IZDELKOV 5) Vrsta stroja : Izvenkrmni motorji 6) Funkcija : Pogonski sistem 7) PROIZVAJA 8) TIP 9) SERIJSKA ŠTEVILKA 10) PROIZVAJALEC 11) Pooblašćeni predstavnik ki lahko predloži tehnićno dokumentacijo 12) PODPIS 13) IME 14) FUNKCIJA 15) Direktor presoje 16) DATUM 17) KRAJ</p>	slovenščina (SLOVENIAN)
<p>1) AT UYGUNLUK BEYANI 2) AŞAĞIDA İMZASI BULUNAN VE İMALATÇININ YETKİLİ TEMSİLCİSİ OLAN (15) ÜRÜNÜN ŞU AT YÖNETMELİKLERİNİN HÜKÜMLERİNE UYGUN OLDUĞUNU BEYAN EDER. 3) UYUMLAŞTIRILMIŞ STANDARTLARA ATIF 4) MAKİNANIN TARİFİ 5) Flokkur : Dıştan takma motor 6) Virkni : tahrik sistemi 7) MARKA 8) TİP 9) SERİ NUMARASI 10) İMALATÇI 11) Teknik dosyayı hazırlamakla yetkili olan Toplulukta yerleşik yetkili temsilci 12) İMZA 13) ADI 14) ÜNVANI 15) Homologasyon Yöneticisi 16) TARİH 17) YER</p>	Türk (TURKISH)
<p>1)EK-İZJAVA O SUKLADNOSTI 2)POTPISANI (15), PREDSTAVNIK PROIZVOĐAČA, IZJAVLJUJE DA JE PROIZVOD U SUKLADNOSTI S ODREDBAMA SLJEDEĆEG EK PROPISA 3)REFERENCA NA USKLADENE NORME 4)OPIS STROJA 5)Opća vrijednost : Vanbrodski motor 6)Funktionalnost : Pogonski sustav 7)IZRADIO 8)TIP 9)SERIJSKI BROJ 10)PROIZVOĐAČ 11) Ovlašteni predstavnik i osoba za sastavljanje tehničke dokumentacije 12) POTPIS 13) IME 14) TITULA 15) Upravitelj homologacije 16) DATUM 17) MJESTO</p>	hrvatski (CROATIAN)

19. INDEX

A		F	
Adjusting Bolt	16	Fuel	
Anode Metal	15	Level	25
C		Filler Cap Vent Knob	17
CE mark location	9	Storage	61
Choke Knob	11	Valve Lever	13
Clamp Screws	17	G	
Cleaning and Flushing	47	Gasoline Containing Alcohol	26
Component Identification	10	Gear Oil Change	53
Controls	11	H	
D		High Altitude Operation	40
Disposal	65	I	
Draining the Gasoline	62	Installation	18
“EC DECLARATION OF CONFORMITY”		Height	19
Content Outline	74	Location	18
E		L	
Emergency		Lubrication	57
Starting	32		
Stop Switch	11		
Stop Switch Lanyard/Clip	14		
Engine			
Cover Retaining Strap	16		
Oil Change	52		
Oil Level	23		
Inspection Window	13		

INDEX

M

Maintenance	48
Schedule	50
Major Honda Distributor Addresses	70
Motor	
Angle	20, 21
Attachment	20

O

Operation	35
-----------------	----

P

Pre-Operation Checks	22
Other Checks	27
Removing/Installing Engine Cover	22

S

Safety	6
Information	6
Safety Label Locations	8
Servicing a Submerged Outboard Motor	59
Shallow Water Operation	40
Shear Pin Change	58
Spark Plug Service	55
Specifications	68, 69, 70
Starter Grip	11
Starter Rope Check	54
Starting the Engine	28

Starting Problems	34
Steering Friction Bolt	16
Stopping the Engine	41
Storage	61
Engine Oil	63
Fuel	61
Position of the Outboard Motor	63

T

Throttle	
Grip	12
Grip Friction Knob	13
Tilt Lever	15
Tilting the Outboard Motor	38
Tool Kit and Spare Parts	49
Trailering	46
Transom	
Angle Adjusting Bolt and Wing Nut	16
Height	18
Transporting	43
Troubleshooting	66
Starting Problems	34